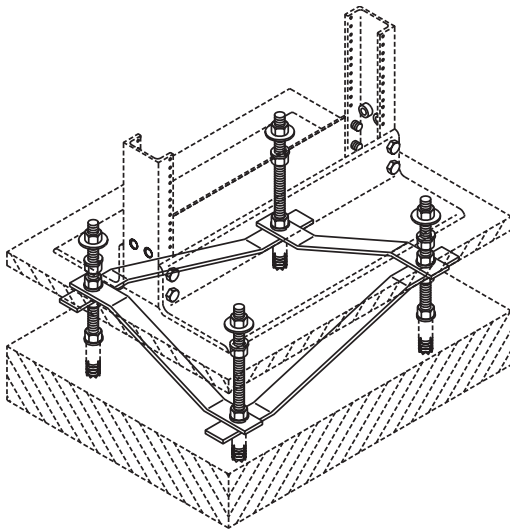


Anchors

Use to secure threaded rods or stud bolts in concrete or masonry. The 20067-001 Anchor is used with 3/8-16 threaded rods, and the 06001-004 Anchor used with 5/8-11 threaded rods. To install the 06001-004 Anchor, use the specially designed Anchor Setting Tool (P/N 06003-001). *Installation instructions included. Sold individually.*

Part Number	Description	Length	Drill Dia.	Min. Hole Depth
20067-001	3/8-16 Exp. Shield	2"	5/8"	2-1/8"
06001-004	5/8-11 Multi-Set	2-1/2"	7/8"	2-1/2"
06003-001	Anchor Setting Tool	N/A	N/A	N/A



Rack with 3"(80 mm) channel shown

Raised Floor Rack Support

Used to support equipment racks installed on 4" to 36" (100 mm to 910 mm) height raised floor support systems. Enhances structural integrity during seismic events.

- Racks are mounted to sub or base floor using 5/8" threaded rods and steel brackets
- Steel brackets finished in gray color

Kits consists of:

- (4) pre-cut threaded rods
- (4) "Z" brackets
- All mounting hardware

Note: To install the anchors, use the specially designed anchor setting tool (P/N 06003-001) sold separately.



P/N 13501

3" (80 mm) Rack Channel			
19" Rack	23" Rack	Height of Floor in (mm)	Shipping Weight lb (kg)
10632-119	10632-123	4 to 10 (100 to 250)	15 (6.8)
10629-119	10629-123	10 to 16 (250 to 410)	18 (8.2)
10630-119	10630-123	16 to 22 (410 to 560)	20 (9.1)
10631-119	10631-123	22 to 28 (560 to 710)	23 (10.4)
13501-119	13501-123	30 to 36 (760 to 910)	34 (15.4)
6" (150 mm) Rack Channel			
11760-119	11760-123	4 to 10 (100 to 250)	15 (6.8)
11761-119	11761-123	10 to 16 (250 to 410)	18 (8.2)
11762-119	11762-123	16 to 22 (410 to 560)	21 (9.5)
11763-119	11763-123	22 to 28 (560 to 710)	24 (10.9)
13515-119	13515-123	30 to 36 (760 to 910)	34 (15.4)