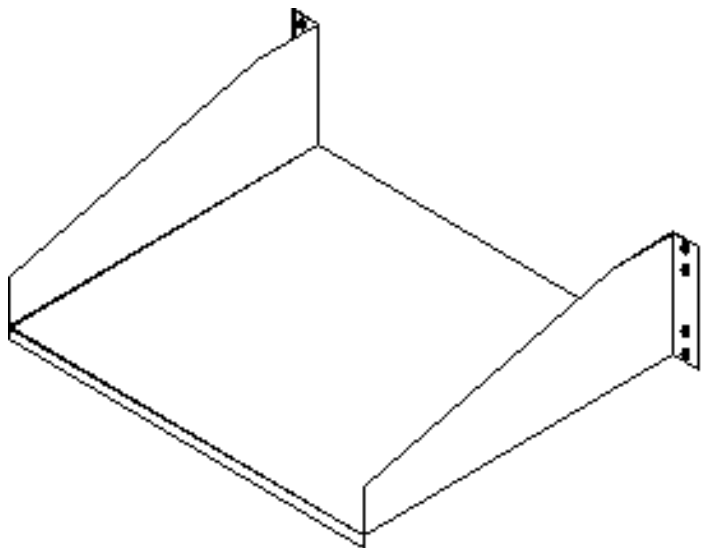


## Relay Rack Shelf



### Features

- 19- or 23-inch relay rack mounting units
- Formed construction for strength
- Shelf depth of 10, 15, or 20 inches available
- 100 lb weight capacity
- Choice of colors

### Specifications

- 14 gauge carbon steel formed construction
- Mounting holes on standard EIA spacing
- 100 lb distributed weight capacity
- Colors available (Color code):

ASA 61 Gray (G)

Black (BLK)

Clear Brushed (CLR)

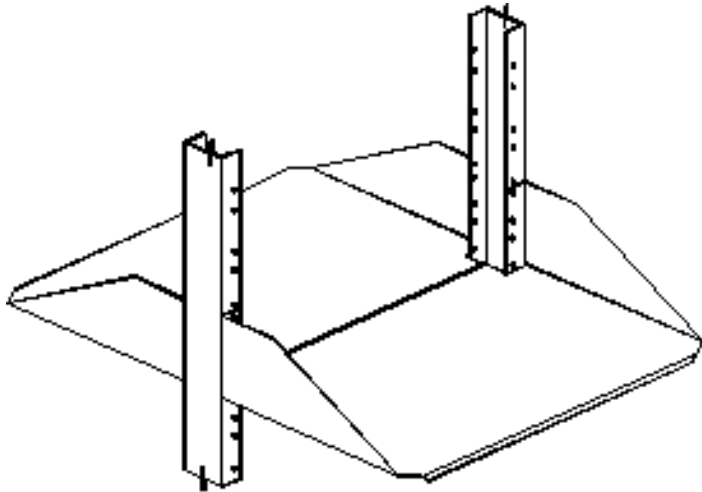
### Ordering Information

SWE596-19-10	Shelf 17¼" wide x 10" deep
SWE596-19-15	Shelf 17¼" wide x 15" deep
SWE596-19-20	Shelf 17¼" wide x 20" deep
SWE596-23-10	Shelf 21¼" wide x 10" deep
SWE596-23-15	Shelf 21¼" wide x 15" deep
SWE596-23-20	Shelf 21¼" wide x 20" deep

**To order:** Add color code to end of part number, e. g. SWE596-19-10BLK



## Back to Back Relay Rack Shelves



### Features

- 19- or 23-inch relay rack mounting units
- Formed construction for strength
- Each shelf 15 inches deep
- 75 lb weight capacity per shelf
- Choice of colors

### Specifications

- 14 gauge carbon steel formed construction
- Mounting holes on standard EIA spacing
- 75 lb distributed weight capacity per shelf
- Sold in pairs
- Colors available (Color code):

ASA 61 Gray (G)

Black (BLK)

Clear Brushed (CLR)

### Ordering Information

SWE596-19-BB	Shelves 20 $\frac{1}{4}$ " wide x 15 $\frac{3}{4}$ " deep (pair)
SWE596-23-BB	Shelves 24 $\frac{1}{4}$ " wide x 15 $\frac{3}{4}$ " deep (pair)

**To order:** Add color code to end of part number, e. g. SWE596-19-BBBLK

Copyright © 2004 Southwest Data Products

