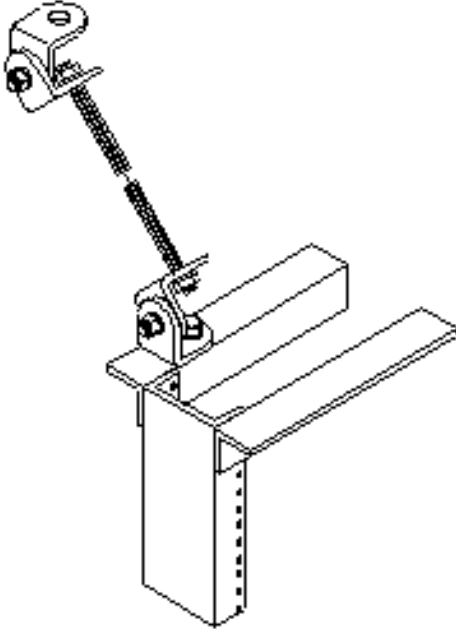


Universal Earthquake Bracing Kit



Features

- Provides an adjustable brace to secure an equipment rack to wall or ceiling
- Threaded rods not included

Specifications

- Each kit contains:
 - (4) brackets (makes 2 swivel brackets)
 - (2) 1/2"-13 x 1-1/4" bolts
 - (2) 1/2"-13 hex nuts
 - (2) 1/2" split washers

Copyright © 2004 Southwest Data Products

