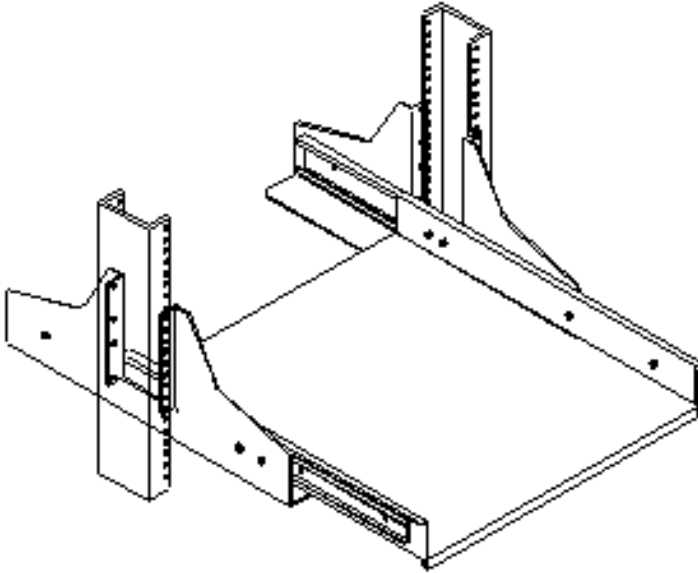


Sliding Equipment Shelf



Features

- 19- and 23-inch relay rack mounting units
- Formed construction for strength
- Shelf depth of 18 inches
- 100 lb weight capacity
- Colors available (Color code):

IBM White (W)
 ASA 61 Gray (G)
 Black (BLK)
 Clear Brushed (CLR)

Specifications

- Carbon steel formed construction for powder coated versions
- Aluminum construction for clear finish versions
- 100 lb distributed weight capacity

Ordering Information

SWE2415	Shelf 16" wide x 18" deep (19" RM)
SWE2415-23	Shelf 20" wide x 18" deep (23" RM)

To order: Add color code to end of part number, e.
 g. SWE2415BLK

Photo:

[SWE2415](#)

