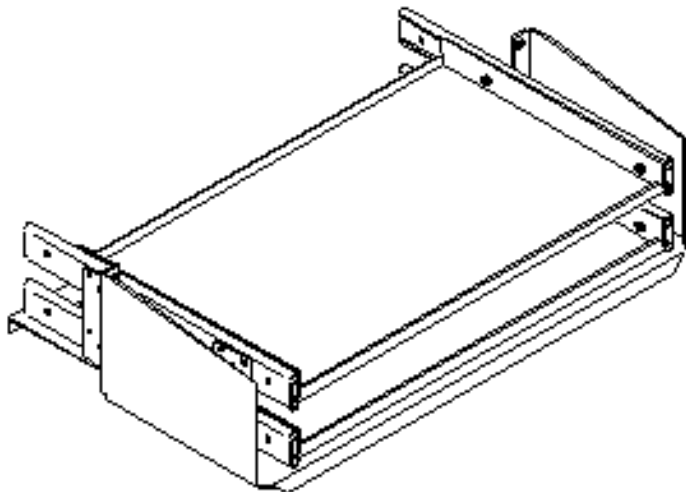


## Sliding Double Keyboard Tray



### Features

- 19- or 23-inch relay rack mounting units
- Formed construction for strength
- Trays extend 8" to provide full access to keyboards
- Retracts when not in use
- 19" version holds up to 16.1" wide keyboards
- 23" version holds up to 20.1" wide keyboards
- Choice of colors

### Specifications

- Sturdy .090 aluminum formed construction
- Mounting holes on standard EIA spacing
- Colors available (Color code):

IBM White (W)  
 ASA 61 Gray (G)  
 Black (BLK)  
 Clear Brushed (CLR)

### Ordering Information

SWE2227	Sliding Double Keyboard Tray 19" RM
SWE2227-23	Sliding Double Keyboard Tray 23" RM

**To order:** Add color code to end of part number, e. g. SWE2227BLK



Copyright © 2004 Southwest Data Products