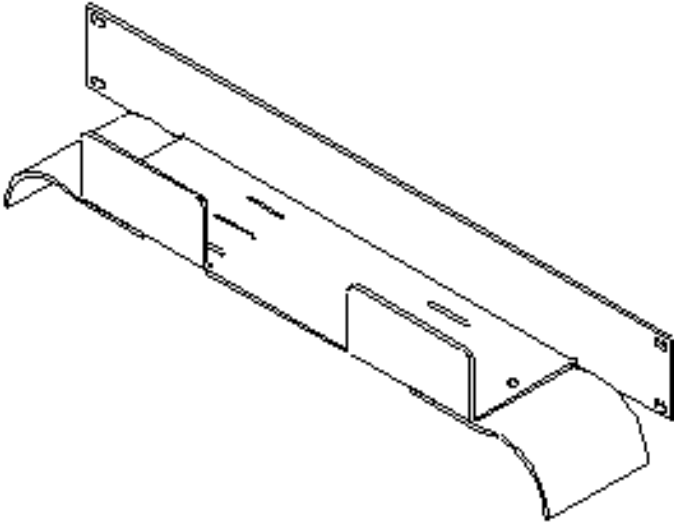


Jumper Tray Upper



Features

- Provides ANSI/TIA/EIA-568A 1-1/2" bend radius compliance for CAT 5
- Slotted holes allow adjustment of cable runs
- Telescopes to allow adjustment of cable entry position
- Easy installation using a simple bolt on method, mounting screws provided
- Sold individually
- Colors available (Color code):

IBM White (W)
 ASA 61 Gray (G)
 Black (BLK)
 Gold Zinc Plated (GZ)

Specifications

- Formed steel construction

Ordering Information

SWE2183-19	Jumper Tray Upper for 19" Rack
SWE2183-23	Jumper Tray Upper for 23" Rack

To order: Add color code to end of part number, e. g. SWE2183-19BLK

Photo:

[SWE2183](#)

