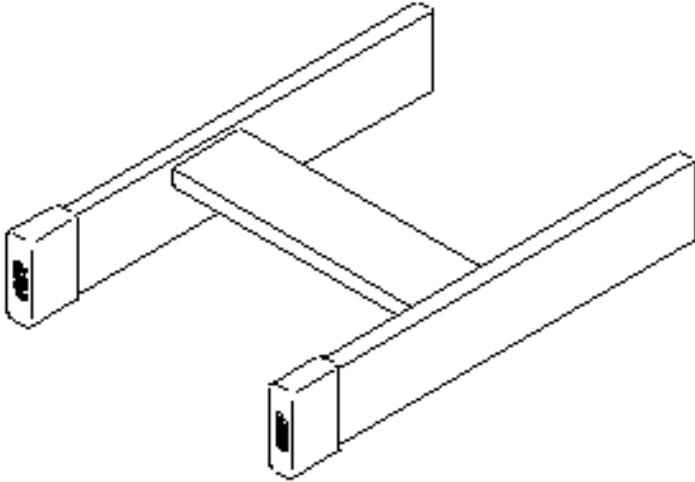


---

## End Cap



### Features

- Protects and covers ends of cable runway
- Reduces cable damage and personnel injuries

### Specifications

- Sold in pairs
- Made from molded rubber
- Fits all 1-1/2" x 3/8" runway products

Copyright © 2004 Southwest Data Products