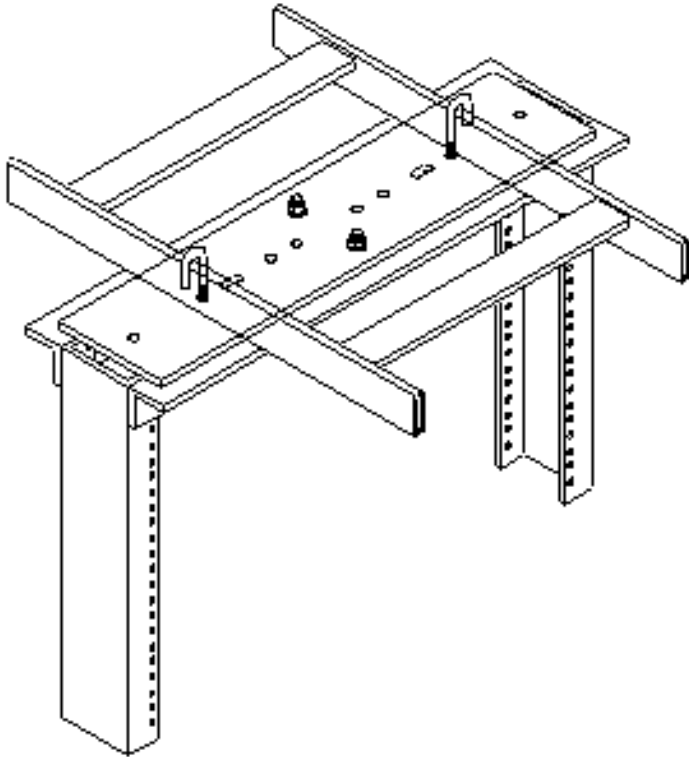


Channel Rack to Runway Mounting Plate



Features

- Provides secure connection of cable runway to top of equipment racks
- 12" version accommodates 6" and 12" cable runway
- 18" version accommodates 6", 12" and 18" cable runway
- 24" version accommodates 24" cable runway
- Mounts either parallel or perpendicular to rack
- "J" bolts, hex nuts and split washers included

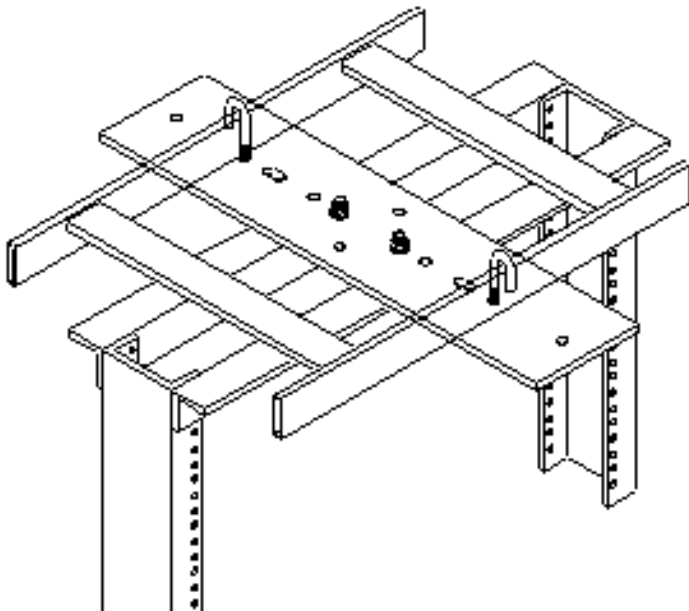
Specifications

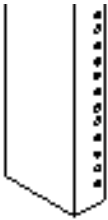
- Constructed from heavy-duty cold rolled steel plate
- Colors available (Color code):

IBM White (W)
 ASA 61 Gray (G)
 Black (BLK)
 Gold Zinc (GZ)

Ordering Information

SWE2595-12	Channel Rack to Runway Mounting Plate for 6" to 12" cable runway
SWE2595-18	Channel Rack to Runway Mounting Plate for 18" cable runway
SWE2595-24	Channel Rack to Runway Mounting Plate for 24" cable runway





To order: Add color code to end of part number,
e.g. SWE2595-12BLK

Copyright © 2004 Southwest Data Products

