



Screwless Snap-On Wallplates

DESCRIPTION	CAT. NO.	COLOR*
1-GANG	80301	I, W, GY, E, A <small>Basic Cat. No. Denotes Mahogany</small>
2-GANG	80309	I, W, GY, E, A
3-GANG	80311	I, W, A
4-GANG	80312	I, W, A
5-GANG	80321-I	W, (No Mahogany)
6-GANG	80326-I	W, (No Mahogany)



Nylon Wallplates

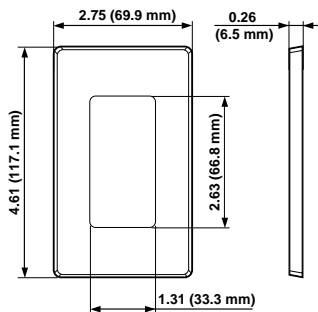
DESCRIPTION	CAT. NO.	COLOR*
1-GANG	80401-N	I, W, GY, E, A, R, B <small>Basic Cat. No. Denotes Mahogany</small>
2-GANG	80409-N	I, W, GY, E, A, R, B
3-GANG	80411-N	I, W, GY, A
4-GANG	80412-N	I, W, A



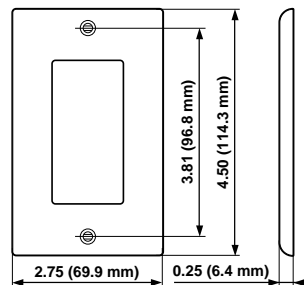
Metal Wallplates

DESCRIPTION	BRUSH BRASS SATIN FINISH .040" THICK	POLISHED BRASS .040" THICK	NON-MAGNETIC STAINLESS STEEL .032" THICK	ALUMINUM SATIN FINISH .040" THICK
1-GANG	81401	81401-PB	84401-40	83401
2-GANG	81409	81409-PB	84409-40	83409
1-GANG 1-Duplex	—	—	84455-40	—
3-GANG	81411	81411-PB	84411-40	—
4-GANG	81412	—	84412-40	—
5-GANG	81423	—	84423-40	—
6-GANG	—	—	84436-40	—

All devices are UL Listed and CSA Certified.



SCREWLESS SNAP-ON WALLPLATE  
Cat. No. 80301



NYLON WALLPLATE  
Cat. No. 80401-N

SPECIFICATIONS & FEATURES

- Decora Plus Screwless Snap-On Wallplates**
- Feature sleek, smooth contemporary architectural styling with hidden mounting screws that complement fine decors
  - Decora compatible — two-piece kit allows easy retrofit to any Decora installation
  - Impact-resistant thermoplastic construction stands up to abuse and cleaning solutions

**Nylon and Metal Wallplates**

- Include color-matched screws

TESTING & CODE COMPLIANCE

**Decora Plus Screwless Snap-On Wallplates**

- UL Listed (File #E13397)
- Meet NEMA Standards WD-1
- CSA Certified (File #LR16347)
- NOM Certified (#057)
- Backed by a Limited 10-Year Warranty

**Metal Wallplates & Plastic Adapters**

- UL Listed (File #92327)
- CSA Certified (File #LR16347)
- NOM Certified (#057)
- Meet NEMA Standards WD-1
- Backed by a Limited 10-Year Warranty

\*COLOR

**Decora Plus Screwless and Nylon Wallplates**  
Basic Cat. No. denotes Mahogany device. For other color selections, add suffix to the catalog number as follows: Ivory (-I), White (-W), Gray (-GY), Black (-E), Almond (-A), Red (-R) and Blue (-B).

**Metal Wallplates**

Brass, stainless steel or aluminum finish as listed

MATERIAL CHARACTERISTICS

Environmental: Flammability UL-94, V2 Rating  
Operating Temperature: -40°C to 120°C

For more information regarding matching wallplates, colors, materials, single and multi-gang, refer to Wallplates, section G.