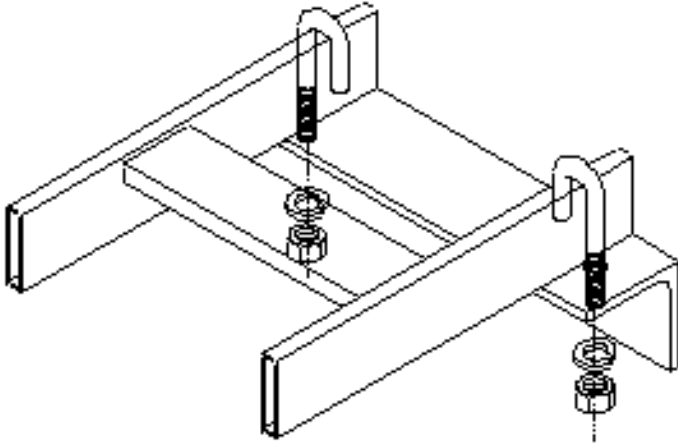


J-Bolt Kit



Features

- Used to attach cable runway to wall angle or wall support brackets
- Usable on tubular and solid type cable runway

Specifications

- Steel construction
- Gold zinc plated
- Each kit contains:
 - (2) 5/16"-18 x 2-1/4" "J" bolts
 - (2) 5/16"-18 hex nuts
 - (2) 5/16" split washers

Copyright © 2004 Southwest Data Products

