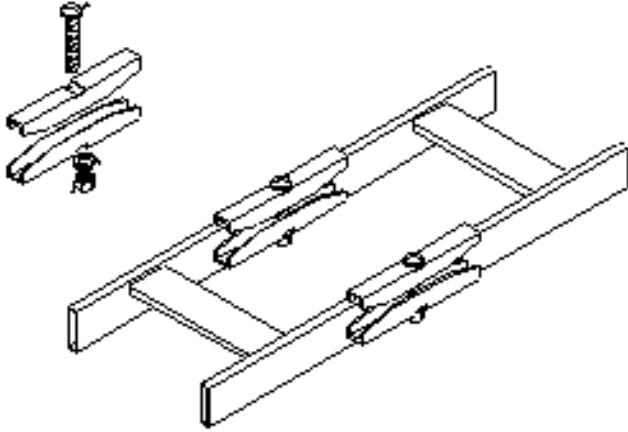


Butt-Splice Kit



Features

- Provides all pieces necessary to butt-splice 1-1/2" x 3/8" cable runway
- Usable on tubular and solid type cable runway

Specifications

- Steel construction
- Gold zinc plated
- Each kit contains:
 - (4) splice plates
 - (2) 3/8"-16 bolts
 - (2) 3/8"-16 hex nuts
 - (2) 3/8" split washers

Photo:

[SWE2301](#)

Copyright © 2004 Southwest Data Products



