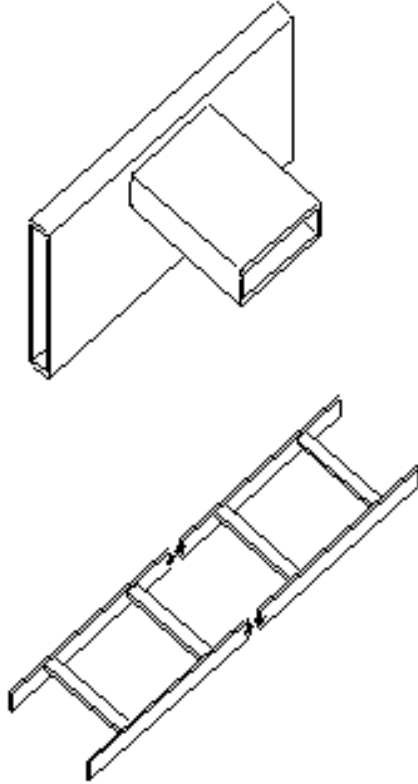


## Universal Cable Runway



### Features

- Tubular construction for weight savings
- High strength welded construction
- The most popular sizes available standard
- Colors available (Color code):

IBM White (W)

ASA 61 Gray (G)

Black (BLK)

Gold Zinc Plated (GZ)

### Specifications

- Constructed from 3/8" x 1-1/2" x .065" wall rectangular steel tubing
- Cross members are welded on 12" centers
- Length of 9' 11-1/2"
- Bulk and individual packaging available

### Ordering Information

SWE2250-6	6" Wide Cable Runway
SWE2250-12	12" Wide Cable Runway
SWE2250-18	18" Wide Cable Runway
SWE2250-24	24" Wide Cable Runway

**To order:** Add color code to end of part number, e. g. SWE2250-6BLK

### Photo:

[SWE2250](#)

