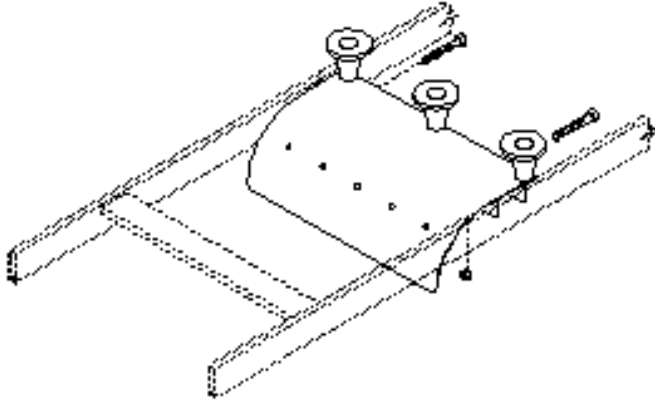


## Cable Runway Radius Drop



### Features

- Provides 3" bend radius
- Fits 6", 12", 18" and 24" cable runway made from 1-1/2" x 3/8" tubing
- Usable on tubular or solid type cable runway
- Easy installation using a simple bolt on method
- Sold individually
- Colors available (Color code):

IBM White (W)  
 ASA 61 Gray (G)  
 Black (BLK)  
 Gold Zinc Plated (GZ)

### Specifications

- Formed steel construction
- Each kit contains:
  - (1) Radius drop
  - (1) Bolt
  - (1) Hex nut
  - (3) Cable spools

### Ordering Information

SWE2100-6	Cable Runway Radius Drop for 6" Cable Runway
SWE2100-12	Cable Runway Radius Drop for 12" Cable Runway
SWE2100-18	Cable Runway Radius Drop for 18" Cable Runway
SWE2100-24	Cable Runway Radius Drop for 24" Cable Runway



**To order:** Add color code to end of part number, e.  
g. SWE2100-6BLK

---

Copyright © 2004 Southwest Data Products

