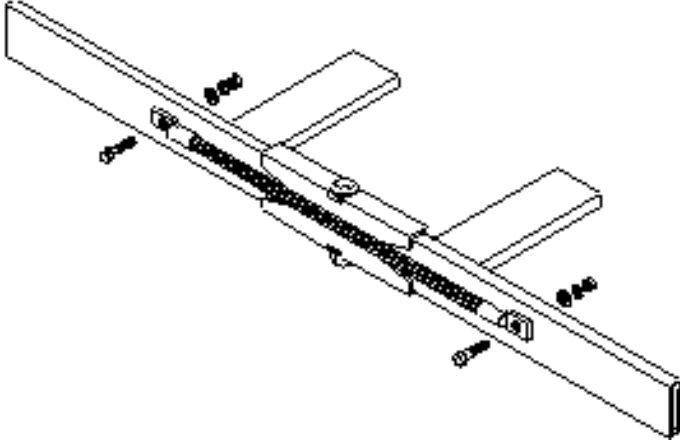


Cable Runway Grounding Kit



Features

- Provides grounding across cable runway splice
- Installation requires drilling

Specifications

- Each kit contains:
 - (2) 12-24 x 3/4" screws
 - (2) 12-24 hex nuts
 - (4) #12 split washers
 - (1) 8" copper braid ground strap

Copyright © 2004 Southwest Data Products



