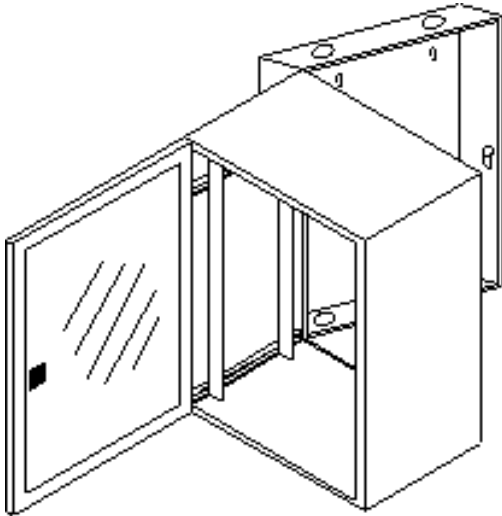


## Double Swing Sub-D Box



### Features

- 19" wide rack mount
- Available with solid or Plexiglas front door
- Locks installed on front doors and rear section
- All welded steel construction
- Mounting rails are tapped #10-32 and are fully adjustable front to rear
- Dual swing unit provides access to rear of equipment
- Choice of colors

### Specifications

- Constructed from carbon steel
- All welded construction
- Mounting rails are zinc plated 14 gauge carbon steel construction with all holes tapped #10-32 EIA standard spacing
- Plexiglas doors have an extruded aircraft aluminum frame with plex insert
- Solid doors are constructed from carbon steel, all welded construction
- Colors available (Color code):

IBM White (W)

Black (BLK)

### Ordering Information

|          |  |
|----------|--|
| SWE454   | Sub-D Box 23"Wx14"Dx48"H                                 |
| SWE454-P | Sub-D Box 23"Wx14"Dx48"H w/Plex Door<br>(26 rack spaces) |
| SWE455   | Sub-D Box 23"Wx24"Dx36"H                                 |
| SWE455-P | Sub-D Box 23"Wx24"Dx36"H w/Plex Door<br>(20 rack spaces) |
| SWE456   | Sub-D Box 23"Wx24"Dx48"H                                 |
| SWE456-P | Sub-D Box 23"Wx24"Dx48"H w/Plex Door<br>(26 rack spaces) |
| SWE457   | Sub-D Box 23"Wx20"Dx24"H                                 |
| SWE457-P | Sub-D Box 23"Wx20"Dx24"H w/Plex Door                     |



(13 rack spaces)

SWE458 Sub-D Box 23"Wx24"Dx24"H

SWE458-P Sub-D Box 23"Wx24"Dx24"H w/Plex Door  
(13 rack spaces)

**To order:** Add color code to end of part number,  
e.g. SWE454BLK

**Photo:**

[SWE458-P](#)

Copyright © 2004 Southwest Data Products

