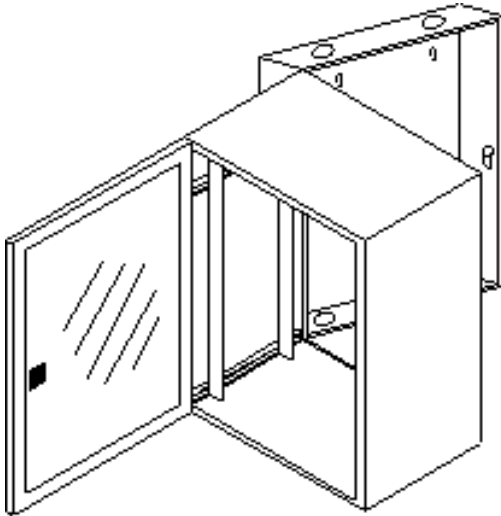


Double Swing Sub-D Box



Features

- 19" wide rack mount
- Available with solid or Plexiglas front door
- Locks installed on front doors and rear section
- All welded steel construction
- Mounting rails are tapped #10-32 and are fully adjustable front to rear
- Dual swing unit provides access to rear of equipment
- Choice of colors

Specifications

- Constructed from carbon steel
- All welded construction
- Mounting rails are zinc plated 14 gauge carbon steel construction with all holes tapped #10-32 EIA standard spacing
- Plexiglas doors have an extruded aircraft aluminum frame with plex insert
- Solid doors are constructed from carbon steel, all welded construction
- Colors available (Color code):

IBM White (W)

Black (BLK)

Ordering Information

SWE454	Sub-D Box 23"Wx14"Dx48"H
SWE454-P	Sub-D Box 23"Wx14"Dx48"H w/Plex Door (26 rack spaces)
SWE455	Sub-D Box 23"Wx24"Dx36"H
SWE455-P	Sub-D Box 23"Wx24"Dx36"H w/Plex Door (20 rack spaces)
SWE456	Sub-D Box 23"Wx24"Dx48"H
SWE456-P	Sub-D Box 23"Wx24"Dx48"H w/Plex Door (26 rack spaces)
SWE457	Sub-D Box 23"Wx20"Dx24"H
SWE457-P	Sub-D Box 23"Wx20"Dx24"H w/Plex Door

Sold by:



(13 rack spaces)

SWE458 Sub-D Box 23"Wx24"Dx24"H

SWE458-P Sub-D Box 23"Wx24"Dx24"H w/Plex Door
(13 rack spaces)

To order: Add color code to end of part number,
e.g. SWE454BLK

Photo:

[SWE458-P](#)

Copyright © 2004 Southwest Data Products

