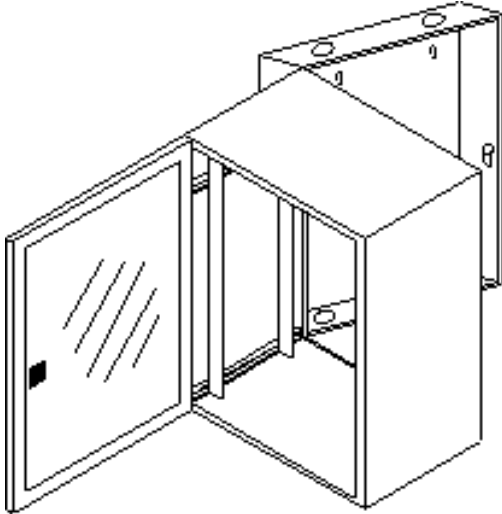


Double Swing Sub-D Box



Features

- 19" wide rack mount
- Available with solid or Plexiglas front door
- Locks installed on front doors and rear section
- All welded steel construction
- Mounting rails are tapped #10-32 and are fully adjustable front to rear
- Dual swing unit provides access to rear of equipment
- Choice of colors

Specifications

- Constructed from carbon steel
- All welded construction
- Mounting rails are zinc plated 14 gauge carbon steel construction with all holes tapped #10-32 EIA standard spacing
- Plexiglas doors have an extruded aircraft aluminum frame with plex insert
- Solid doors are constructed from carbon steel, all welded construction
- Colors available (Color code):

IBM White (W)

Black (BLK)

Ordering Information

SWE450	Sub-D Box 23"Wx20"Dx36"H
SWE450-P	Sub-D Box 23"Wx20"Dx36"H w/Plex Door (20 rack spaces)
SWE451	Sub-D Box 23"Wx17"Dx36"H
SWE451-P	Sub-D Box 23"Wx17"Dx36"H w/Plex Door (20 rack spaces)
SWE452	Sub-D Box 23"Wx17"Dx20"H
SWE452-P	Sub-D Box 23"Wx17"Dx20"H w/Plex Door (10 rack spaces)
SWE453	Sub-D Box 23"Wx12"Dx24"H
SWE453-P	Sub-D Box 23"Wx12"Dx24"H w/Plex Door (13 rack spaces)



To order: Add color code to end of part number,
e.g. SWE450BLK

Photos:

[SWE450-451](#)

[SWE452-P](#)

[SWE453](#)

Copyright © 2004 Southwest Data Products

