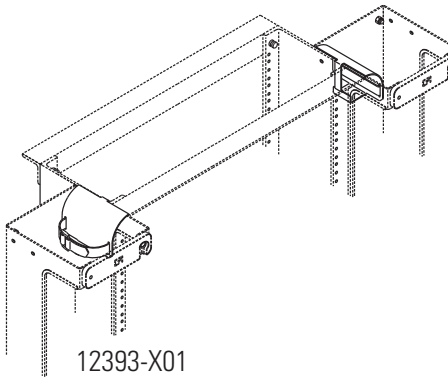
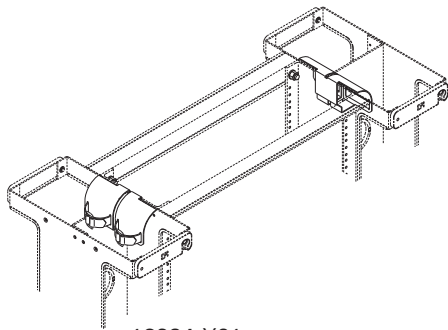


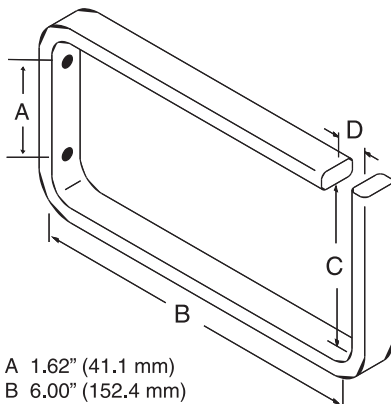
12392-X06



12393-X01



12394-X01



- A 1.62" (41.1 mm)
- B 6.00" (152.4 mm)
- C 2.85" (72.4 mm)
- D 0.56" (14.2 mm)

Rack Radius Drop

The Rack Radius Drop provides a transition from a horizontal cable run onto a rack while maintaining the recommended bend radius. Cable bundles are held securely in place on the Rack Radius Drop by using the included Saf-T-Grip® Center Grommet Buckle Cable Management Strap; 9" L (230 mm) for 12392-X09 and 12393-X01 and 6" L (150 mm) for 12392-X06 and 12394-X01 only.

Note: For UTP and STP-A, the required bend radius is no less than four times the cable diameter. For optical fiber, the required bend radius is either 10 times the cable diameter or 1.2" (30 mm), whichever is larger. (reference BICSI TDDM).

Three styles are available:

- 1) 3" (80 mm) or 6" (150 mm) rack channels without vertical rack cabling sections use P/N 12392-X06, 3"(80 mm) or 12392-X09, 6"(150 mm).
 - 2) Single sided vertical rack cabling managers use P/N 12393-X01
 - 3) Double sided vertical rack cabling managers use P/N 12394-X01
- Provides an organized method to transition from horizontal cable run onto the rack while maintaining bend radius; styles offered for use with or without vertical rack cabling sections
 - Provides 1-1/2" (38 mm) bend radius
 - Quick and easy slip-on installation onto rack channel
 - Sold individually

Part Number	Description in (mm)	Shipping Weight lb (kg)
12392-X06	Rack Radius Drop for 3 (80) Rack Channels w/o Vertical Cabling Sections	1 (0.5)
12392-X09	Rack Radius Drop for 6 (15) Rack Channels w/o Vertical Cabling Sections	1 (0.5)
12393-X01	Rack Radius Drop For Use with Single Sided Vertical Cabling Section	1 (0.5)
12394-X01	Rack Radius Drop For Use with Double Sided Vertical Cabling Section	1 (0.5)

X=color: 1=Gray, 2=White, 5=Clear, 7=Black

Large Horizontal Cable Ring

This is the same ring used on our Large Horizontal Ring Panel series 11564. Sold individually and in quantities of 50.

- Provides horizontal cable management on wall
- 2.8"H x 6"W (71 mm x 150 mm) heavy duty aluminum rings
- Rounded edges protect cable sheaths

Part Number	Shipping Weight lb (kg)	Box of 50	Shipping Weight lb (kg)	Color
11563-101	1 (0.5)	11563-150	19 (8.6)	Gray
11563-201	1 (0.5)	11563-250	19 (8.6)	White
11563-501	1 (0.5)	11563-550	19 (8.6)	Clear
11563-701	1 (0.5)	11563-750	19 (8.6)	Black