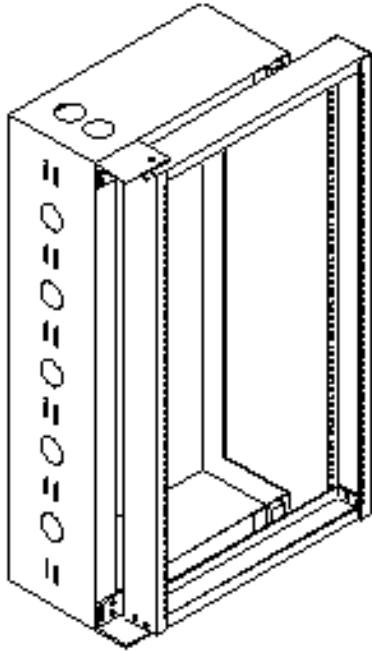


## Wall Mounted Swing Gate Rack



### Features

- 19- and 23-inch wide rack mounting units
- 18" depth
- Wall mount units are stackable
- Mounting holes tapped #12-24 on EIA standard spacing (5/8", 5/8", 1/2") on both front and back sides
- 35" (20U) usable rack space
- Nine cable pass through holes provided with grommeting
- Six Velcro cable management strips are provided for cable management
- Constructed from aluminum
- Includes (20) #12-24 rack screws
- Holds up to 150 lbs
- Rear mounting holes provided on 16" centers for standard stud mounting
- Gate opens 180 degrees to provide total access to rear of equipment
- Top and bottom locking latches maintain gate in closed position
- Assembles in minutes
- Choice of colors

### Specifications

- 19- or 23-inch wide rack mount tapped #12-24
- 35" (20U) rack space
- 18" depth
- Colors available (Color code):

IBM White (W)  
 Black (BLK)  
 Gray (G)  
 Clear (CLR)

### Ordering Information

SWE2348

Swing Gate Rack  
 (19" wide)



SWE2348-23

Swing Gate Rack  
(23" wide)

**To order:** Add color code to end of part number, e.  
g. SWE2348BLK

**Photo:**

[SWE2347](#)

Copyright © 2004 Southwest Data Products

