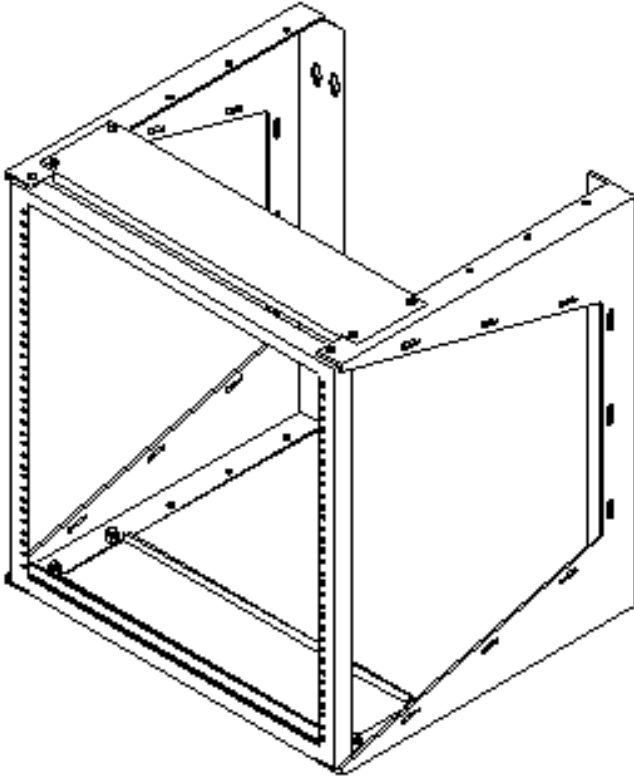


Wall Mounted Swing Rack



Features

- 19" wide rack mounting units
- Front swing gate hinges from either right or left
- Mounting holes tapped #10-32 on EIA standard spacing
- 22" high available in 8", 12", 18" and 25" depths
- Integrated strain relief tie off points allow for flexible cable management
- High strength steel construction
- Includes assembly hardware and (20) #10-32 rack screws
- Holds up to 100 lbs
- Rear mounting holes provided on 16" centers for standard stud mounting and 18-5/16" centers to allow units to be mounted on a 19" rack
- Assembles in minutes
- Choice of colors

Specifications

- 19" wide rack mount tapped #10-32
- 12 gauge steel construction
- Colors available (Color code):

IBM White (W)

Black (BLK)

ASA 61 Gray (G)

Ordering Information

SWE2138-8	22"Hx8"D Wall Mounted Rack
SWE2138-12	22"Hx12"D Wall Mounted Rack
SWE2138-18	22"Hx18"D Wall Mounted Rack
SWE2138-25	22"Hx25"D Wall Mounted Rack (11 rack spaces)

To order: Add color code to end of part number,



e.g. SWE2138-12BLK

Copyright © 2004 Southwest Data Products

