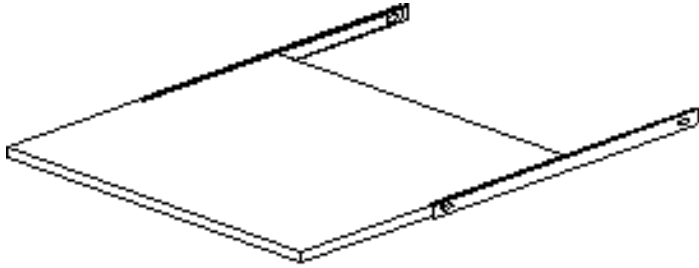


## Roll Out Shelf



### Features

- 19" wide rack mounting unit
- Formed construction for stiffness
- Uses full ball bearing slides - 3/4 extension
- Mounting hardware provided
- Can be used as keyboard or monitor shelf
- Choice of colors

### Specifications

- 75 lb weight capacity
- 17" wide x 16.75" deep
- Constructed from carbon steel
- Mounting holes on standard EIA spacing
- Colors available (Color code):

IBM White (W)

IBM Blue (BLU)

ASA 61 Gray (G)

Black (BLK)

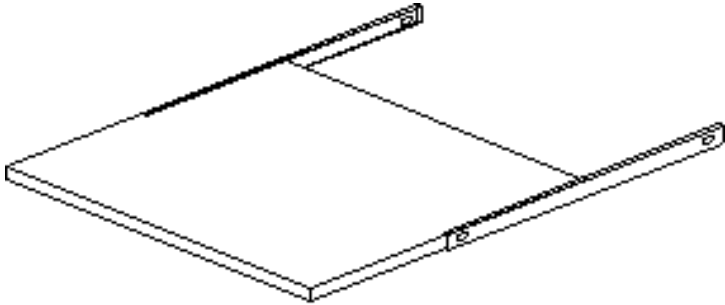
**Note:** Cabinet must be equipped with front and back mounting rails.

**To order:** Add color code to end of part number, e. g. SWE704BLK

Copyright © 2004 Southwest Data Products



## Roll Out Shelf (23" Rack Mount)



### Features

- 23" wide rack mounting unit
- Formed construction for stiffness
- Uses full ball bearing slides - 3/4 extension
- Mounting hardware provided
- Can be used as keyboard or monitor shelf
- Choice of colors

### Specifications

- 75 lb weight capacity
- 21" wide x 16.75" deep
- Constructed from carbon steel
- Mounting holes on standard EIA spacing
- Colors available (Color code):

IBM White (W)

IBM Blue (BLU)

ASA 61 Gray (G)

Black (BLK)

**Note:** Cabinet must be equipped with front and back mounting rails.

**To order:** Add color code to end of part number, e. g. SWE704-23BLK

Copyright © 2004 Southwest Data Products

