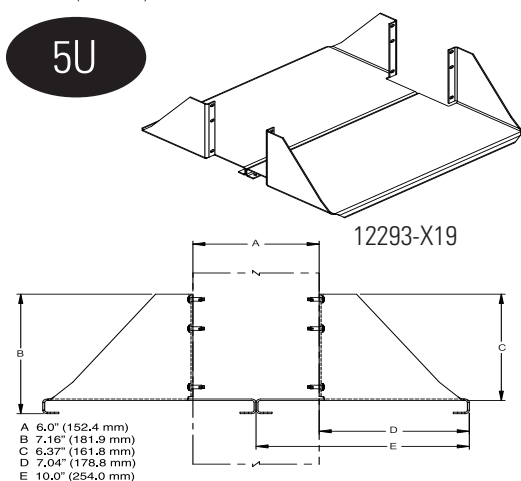


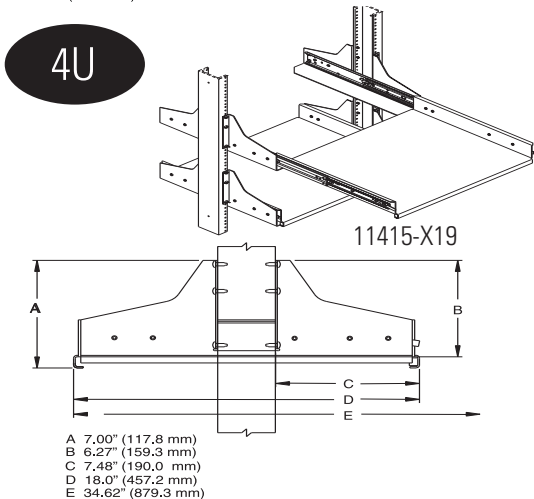
Heavy Duty Equipment Shelf for 3" (80 mm) Channel

Convenient for mounting large equipment requiring additional support. Mounting hardware not included. 19" version holds equipment up to 17.75"W x 19.8"D (450.9 mm x 503.4 mm), 23" version holds equipment up to 21.75"W x 19.8"D (552.5 mm x 503.4 mm). Made of strong, lightweight aluminum, supports up to 200 lb (90.7 kg). 19" version is UL Listed: File E140851; Category DUXR (US), DUXR7 (Canada) – Communications Circuit Accessory.



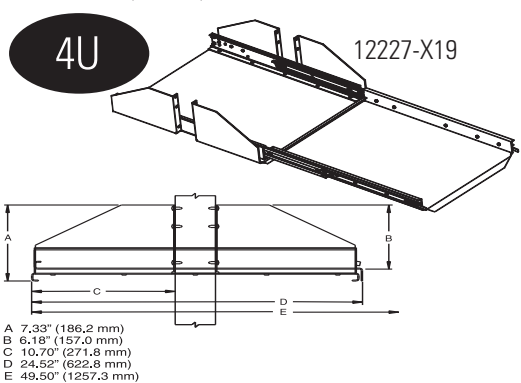
Heavy Duty Equipment Shelf for 6" (150 mm) Channel

This shelf is designed to hold heavy equipment requiring extra support. Fits Standard Rack 6"D (150 mm) and Seismic Frame® Two Post Rack. Mounting hardware not included. 19" version holds equipment up to 17.75"W x 19.8"D (450.9 mm x 503.4 mm). Made of strong, lightweight aluminum, supports up to 200 lb (90.7 kg).



Sliding Equipment Shelf

Provides a sliding shelf for front access to all equipment. Mounting hardware not included. 18"D (460 mm) shelf extends out an additional 16" (410 mm) from closed position, lockable in fully extended and fully retracted positions. 19" version holds up to 16"W x 17.5"D (410 mm x 445 mm) equipment, 23" version holds up to 20"W x 17.5"D (510 mm x 445 mm) equipment. Mounts on 3"D (80 mm) double-sided racks only. Made of sturdy, lightweight aluminum, supports up to 100 lb (45.4 kg).



Extra-Extended Sliding Equipment Shelf

Provides a full 25" (640 mm) extension, it is easy to access the back of network servers (or other large equipment). Mounting hardware not included. 19" holds up to 16"W x 24"D (410 mm x 610 mm) equipment, 23" holds up to 20"W x 24"D (510 mm x 610 mm) equipment. Shelf locks in closed or fully open position and, ships fully assembled. Strong, lightweight aluminum construction, supports up to 150 lb (68 kg).

Note: To prevent tipping, rack must be properly attached to floor.

Part Number	Description	Shipping Weight lb (kg)
11164-X19	Heavy Duty Shelf for 3" (80 mm) Channel, For 19" Rack	8 (3.6)
11164-X23	Heavy Duty Shelf for 3" (80 mm) Channel, For 23" Rack	9 (4.1)
12293-X19	Heavy Duty Shelf for 6" (150 mm) Channel, For 19" Rack	10 (4.5)
11415-X19	Sliding Equipment Shelf, For 19" Rack	13 (5.9)
11415-X23	Sliding Equipment Shelf, For 23" Rack	13 (5.9)
12227-X19	Extra-Extended Shelf, For 19" Rack	10 (4.5)
12227-X23	Extra-Extended Shelf, For 23" Rack	10 (4.5)

X=color: 1=Gray, 2=White, 5=Clear, 7=Black