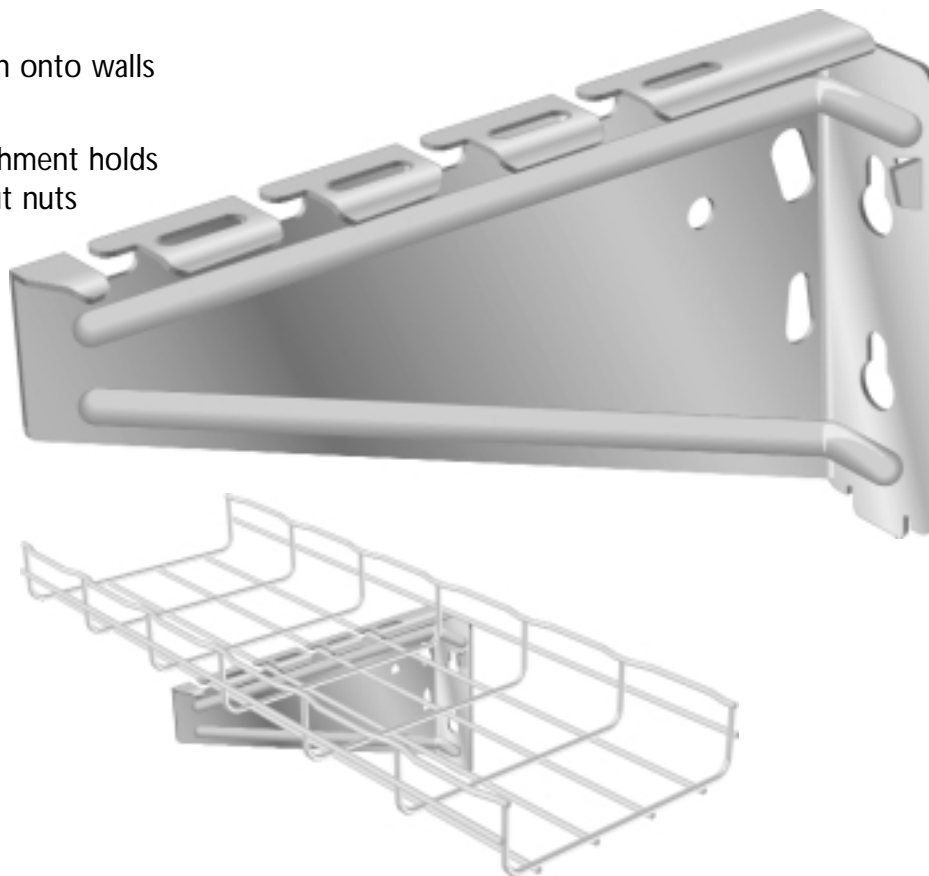


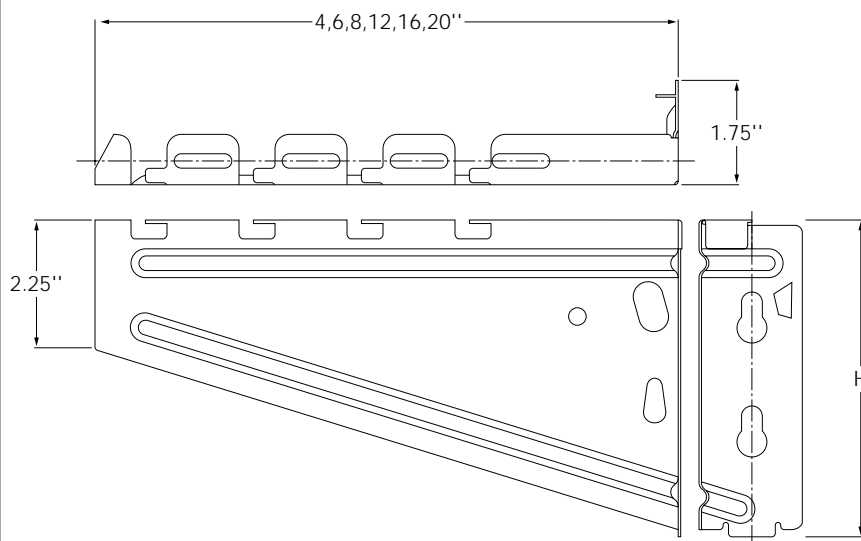
FAS Universal Brackets

EZTray™

- For cable tray installation onto walls or channel framing.
- Patented FAS style attachment holds cable tray secure without nuts and bolts.
- Designed to also accept bolt attachment.
- Corrosion resistant pre-galvanized finish.



FAS 
FAST ASSEMBLING SYSTEM



Part #	Description	H	lb.	Pk. qty.	Safety load/lb.
FAS U100	4" FAS Universal Bracket	3.3"	0.2	1	119
FAS U150	6" FAS Universal Bracket	4.9"	0.4	1	151
FAS U200	8" FAS Universal Bracket	5.5"	0.6	1	173
FAS U300	12" FAS Universal Bracket	5.5"	0.8	1	216
FAS U400	16" FAS Universal Bracket	6.6"	1.7	1	248
FAS U500*	20" FAS Universal Bracket	7.8"	2.6	1	324

*Note: Accepts up to 24" wide EZ Tray.

CABLOFIL 

INNOVATORS IN CABLE MANAGEMENT

tel 618-566-3230
800-658-4641
fax 618-566-3250
www.cablofil.com