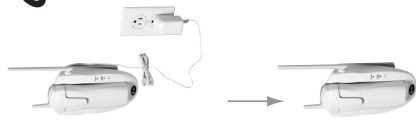




Leviton Integrated Networks™



Out-of-Sight Power Jack™

Cat. No. 40215

FOR INDOOR USE ONLY

INSTALLATION INSTRUCTIONS



DI-000-40215-02A

LIMITED 2 YEAR WARRANTY AND EXCLUSIONS
Leviton warrants to the original consumer purchaser and not for the benefit of anyone else that this product at the time of its sale by Leviton is free of defects in materials and workmanship under normal and proper use for two years from the purchase date. Leviton's only obligation is to correct such defects by repair or replacement, at its option, if within such two year period the product is returned prepaid, with proof of purchase and an undamaged copy of this manual to Leviton Manufacturing Co., Inc., Attn: Quality Assurance Department, 59-25 Little Neck Parkway, Little Neck, New York 11362-2591. This warranty excludes and there is disclaimed liability for labor for removal of this product or reinstallation. This warranty is void if this product is installed improperly or in an improper environment, overloaded, used for purposes not intended, or used in a manner not used under normal operating conditions or not in accordance with any labels or instructions. There are no other implied warranties of any kind, including merchantability and fitness for a particular purpose, but if any implied warranty is required by the applicable jurisdiction, the duration of any such implied warranty, including merchantability and fitness for a particular purpose, shall be limited to the duration of the damages, including without limitation, damage to, or loss of use of, any equipment, lost sales or profits or delay or failure to perform this warranty obligation. The remedies provided herein are the exclusive remedies under this warranty, whether based on contract, tort or otherwise.

For Technical Assistance Call:
1-800-624-3005 (U.S.A. Only)
www.leviton.com



DI-000-40215-02A

FEATURES

- **User Adjustable Voltage Settings** – This device accommodates cordless phones that are powered by a DC power source that ranges from 7 to 12 VDC. You can select the specific output voltage for your cordless phone by a simple slide switch. The slide switch has two positions and can be set to deliver 7 to 9 VDC and 9.1 to 12 VDC.
- **Interchangeable Plug Connectors** – Six interchangeable plug connectors are included with the product to connect to most cordless phones. Many other sizes and styles are also available from Leviton or a local electronics retailer.
- **Regulated Output Voltage** – Keeps the output voltage stable at any point along the input voltage range (96 to 135 VAC).
- **Over-Current, Over-Temperature and Short-Circuit Protection** – This product is manufactured to the parameters of UL 1863 and UL 60950 and is safe and reliable under these adverse conditions.
- **High Efficiency and low Standby mode power dissipation** – The typical steady state (with load) power consumption of this device is 8.5 W @ 74% efficiency. The typical Standby mode (no load) power dissipation of this device is 0.12 W.
- **Safety and Emissions Testing** – This product is compliant with UL 1863, UL 60950, FCC Part 15 Sub-part B Class B and FCC Part 68.

DESCRIPTION

This device is a wall-mounted product that will provide a CAT 3 – telephone jack and low-voltage power supply needed to install a cordless telephone.

Before and After Functional Pictorial Representation:

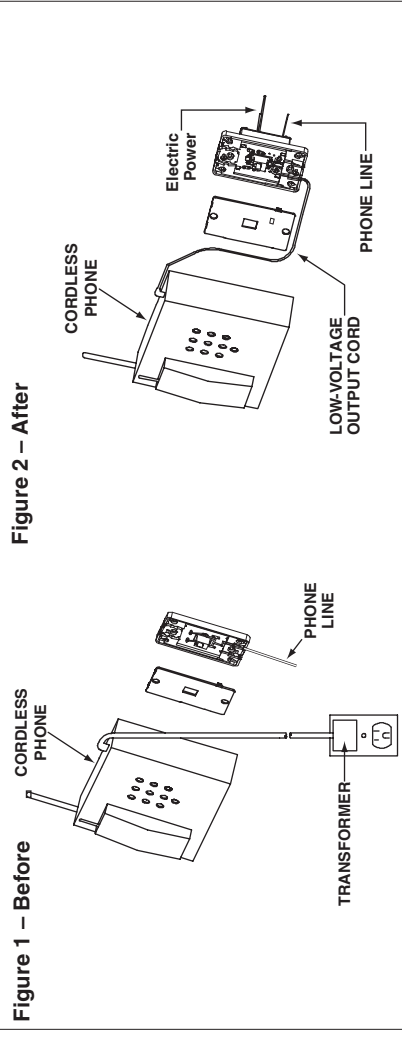


Figure 2 – After

Figure 1 – Before

DEVICE ELECTRICAL SPECIFICATIONS

INPUT VOLTAGE (ELECTRIC POWER):

120 VAC nominal +/- 20% tolerance, 60Hz, 8.5 W

OUTPUT VOLTAGE (Switched with Slide Switch):

9.85 VDC ± 7 % (For Cordless Phones rated between 7 to 9 VDC @660 mA max.)

12.85 VDC ± 7 % (For Cordless Phones rated between 9.1 to 12 VDC @500 mA max.)

FCC COMPLIANCE STATEMENT

This equipment has been tested and found to comply with the limits for a Class B Digital Device, pursuant to Part 15 of the FCC Rules. These limits are design to provide reasonable protection against harmful interference in a residential installation. This equipment generates, uses, and can radiate radio frequency energy and, if not installed and used in accordance with the instructions, may cause harmful interference to radio communications. However there is no guarantee that interference will not occur in a particular installation. If this equipment does cause harmful interference to radio or television reception, which can be determined by turning the equipment OFF and ON, the user is encouraged to try to correct the interference at his own expense.

GENERAL INFORMATION

CAUTIONS:

- THIS DEVICE IS INTENDED FOR USE WITH TELECOMMUNICATION EQUIPMENT UP TO 6 W (7 TO 9 VDC @ 660MA MAX AND 9.1 TO 12 VDC @ 500MA MAX.) AND THAT USES A LOW-VOLTAGE DC OUTPUT POWER SUPPLY ONLY.
- BEFORE PROCEEDING, IF THE MANUFACTURER OF THE CORDLESS PHONE PROVIDED A PLUG-IN TRANSFORMER OR ADAPTER, CONNECT THIS TO THE PHONE ACCORDING TO THE MANUFACTURER'S INSTRUCTIONS TO ENSURE THAT THE PHONE IS WORKING PROPERLY. IF THE PHONE IS NOT WORKING PROPERLY, STOP AND CONSULT THE MANUFACTURER OF THE PHONE BEFORE PROCEEDING WITH INSTALLATION.
- INSTALLING THIS DEVICE REQUIRES SOME EXPERIENCE WITH RESIDENTIAL WIRING PRACTICES AND HAS TO BE INSTALLED BY A PROFESSIONAL INSTALLER. CONFIRM THAT ALL CIRCUIT WIRING COMPLIES WITH LOCAL STATE FEDERAL CODES AND ORDINANCES. FAILURE TO FOLLOW INSTRUCTIONS EXACTLY MAY PERMANENTLY DAMAGE THE UNIT OR DEVICES THAT ARE CONNECTED TO IT; EXPOSE YOU TO DANGEROUS VOLTAGES AND VOID ALL WARRANTIES STATED AND/OR IMPLIED.
- THIS DEVICE IS NOT INTENDED FOR USE IN WET ENVIRONMENTS.
- **NOTE: DO NOT DISCARD THIS INSTRUCTION SHEET.**

INSTALLATION

INSTALLATION OF THIS DEVICE REQUIRES: (1) ELECTRIC POWER CONNECTIONS, (2) COMMUNICATION WIRE CONNECTIONS, AND (3) LOW-VOLTAGE POWER CONNECTIONS. REFER TO FIGURE 3 FOR GENERAL WIRING INFORMATION.

WARNINGS AND CAUTIONS:

1. FOLLOW ALL WARNINGS, CAUTIONS AND INSTRUCTIONS MARKED ON THE PRODUCT AND INSTRUCTIONS SHEET.
2. DO NOT USE THIS PRODUCT NEAR WATER – E.G., NEAR A TUB, WASH BOWL, KITCHEN SINK OR LAUNDRY TUB, IN A WET BASEMENT, OR NEAR A SWIMMING POOL.
3. NEVER PUSH OBJECTS OF ANY KIND INTO THIS PRODUCT THROUGH CABINET SLOTS, AS THEY MAY TOUCH DANGEROUS VOLTAGES.
4. NEVER INSTALL ELECTRICAL DEVICES DURING A LIGHTNING STORM.

(1) ELECTRIC POWER CONNECTIONS

WARNING: TO BE INSTALLED AND/OR USED IN ACCORDANCE WITH APPROPRIATE ELECTRICAL CODES AND REGULATIONS.

WARNING: IF YOU ARE NOT SURE ABOUT ANY PART OF THESE INSTRUCTIONS, CONSULT A QUALIFIED ELECTRICIAN.

CAUTION: USE THIS DEVICE WITH COPPER OR COPPER CLAD WIRE ONLY. WITH ALUMINUM WIRE USE ONLY DEVICES MARKED CO/ALR OR CU/AL.

TO INSTALL:

1. **WARNING:** TO AVOID FIRE, SHOCK, OR DEATH: TURN OFF POWER AT CIRCUIT BREAKER OR FUSE AND TEST THAT POWER IS OFF BEFORE WIRING!
 1. Remove 3/4" (1.9 cm) of insulation from each electric power conductor wire. Make sure that ends of electric power conductor wires are straight.
3. Remove pre-cut insulation sleeves on BLACK and WHITE leads of device to expose bare copper strands.
4. Connect electric power lead wires per **FIGURE 4** as follows: Twist strands of each lead tightly and, with electric power circuit conductor, push firmly into appropriate wire connector. Terminate ground wire as appropriate. Screw connectors on clockwise making sure that no bare electric power leads show below the wire connectors. Secure each connector with electrical tape.
5. Mount device such that the word "TOP" will be located on the top of the device under the front cover and connect the device to the wall box with the screws provided.
6. Restore power after completing the installation.

(2) COMMUNICATIONS CIRCUIT CONNECTIONS

WARNING: TO BE INSTALLED AND/OR USED IN ACCORDANCE WITH APPROPRIATE ELECTRICAL CODES AND REGULATIONS.

WARNING: IF YOU ARE NOT SURE ABOUT ANY PART OF THESE INSTRUCTIONS, CONSULT A QUALIFIED ELECTRICIAN.

WARNING: HAZARD OF ELECTRICAL SHOCK. NOT INTENDED FOR INSTALLATION ON ENERGIZED WIRE OR CIRCUITS. EXTREME CAUTION SHOULD BE EXERCISED TO AVOID PHYSICAL CONTACT WITH BARE CONDUCTORS OR TERMINALS. AS RINGING VOLTAGE COULD BE IN EXCESS OF 100VAC. NEVER ATTEMPT REPAIR, INSTALLATION, OR MODIFICATION OF TELEPHONE EQUIPMENT OR WIRING SYSTEMS IF YOU WEAR AN ELECTRONIC HEART REGULATION DEVICE. IF YOU ARE UNFAMILIAR WITH TELEPHONE WIRING, CONSULT A QUALIFIED ELECTRICIAN.

OTHER CAUTIONS AND NOTES:

1. Never install telephone jacks in wet locations unless the jack is specifically designed for use in wet locations.
2. Never touch uninsulated telephone wires or terminals unless the telephone line has been disconnected at the network interface.
3. Use caution when installing or modifying telephone lines.
4. The device accepts 2 pair 26-22 AWG communication wire.

TO INSTALL:

1. **WARNING:** TO AVOID FIRE, SHOCK, OR DEATH: **TURN OFF POWER AT CIRCUIT BREAKER OR FUSE AND TEST THAT THE POWER IS OFF.**
2. **Determine communication circuit wiring method for your installation location and follow Instructions.**

A. Recommended Wiring:

1. Remove front cover.
 2. Wire the communications (telephone) wire so that it enters the device from outside of the wall box through one of the locations as shown in **Figure 5**, route communications (telephone) wire as shown.
 3. Connect telephone wires to appropriate screw terminals as shown in "Step 3, TO INSTALL, Communication Circuit Wiring Methods".
 4. Proceed with Steps 4-6 of the "TO INSTALL, COMMUNICATIONS CIRCUIT CONNECTIONS" section.
- Please be sure to follow the requirements of EIA/TIA-570-A Residential Telecommunications Cabling Standard and NEC Article 800 Communications Circuits.

Figure 5 – Recommended Wiring

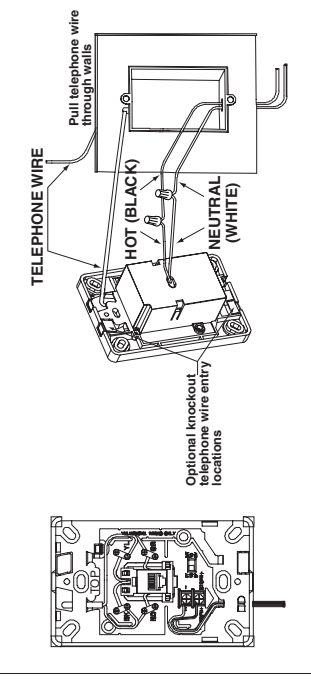
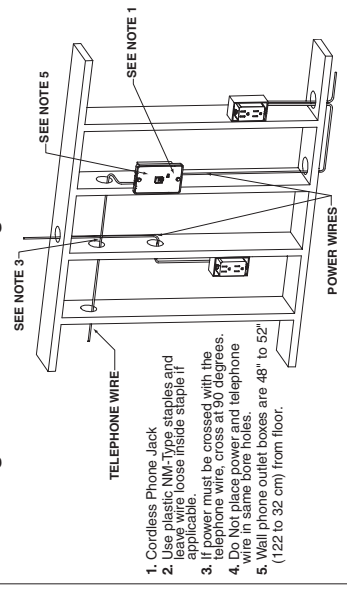
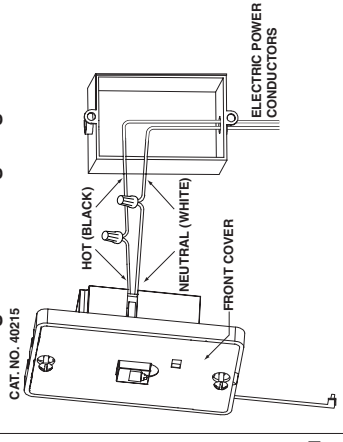


Figure 3 – General Wiring Information



1. Cordless Phone Jack
2. Use plastic NM-Type staples and leave the telephone wire loose inside staple if applicable
3. If power must be crossed with the telephone wire, cross at 90 degrees.
4. Do Not place power and telephone wire in same bore holes.
5. Most phone outlet boxes are 48" to 52" (122 to 32 cm) from floor.

Figure 4 – Wiring Diagram





B. Alternate Wiring for Masonry, Tile, and Brick walls:

1. Remove front cover.
2. Wire the communications (telephone) wire so that it enters the device from inside of the wall box through the location as shown in **Figure 6**, route communications (telephone) wire as shown.

Please be sure to follow the requirements of EIA/TIA-570-A Residential Telecommunications Cabling Standard and NEC Article 800 Communications Circuits. The power circuit conductors shall be routed within the enclosure to maintain a minimum of 0.25-in. (6.35-mm) separation from the communication circuit conductors.

Leviton Mfg. has provided a flexible tubing to cover the entire length of the telephone cable in the wall box (**Refer to Figure 6**). **NOTE:** The flexible tubing is required by the National Electrical Code to provide a separation between the electric, light, and power wires and the communication wires. Refer to Article 800-52 (a)(1)(c) (1) Exception No. 1 for details. The following instructions are shown below for product installation:

3. **WARNING: TO AVOID FIRE, SHOCK, OR DEATH, TURN OFF POWER AT CIRCUIT BREAKER OR FUSE AND TEST THAT THE POWER IS OFF.**
4. For this method, the electrical power conductor wires must be inserted from the **bottom** of the enclosure only, and the communication (telephone) wires from the **top** of the enclosure only.
5. Twist the electrical power conductor **WHITE** (Neutral) bare wire ends tightly together with the device **WHITE** wire and then repeat the same steps for the **BLACK** (Hot) wire. Terminate ground wire as appropriate. Secure the connections with wire connectors. Make sure to bend all the power wires to keep them in the bottom of the enclosure when you push the enclosure back into the wall.

6. Place tubing over telephone wires to allow at least 6 inches of exposure of the jacketed telephone wire. Pull telephone wires tight and align tubing so that it is not extended beyond the front face of wall box. Cut tubing as required. Place wire tie over tubing as far back in wall box as possible and tighten. Pull telephone wire through the opening in the device as shown in **Figure 6**. Mount device such that the word "TOP" will be located on the top of the device under the front cover and connect the device to the wall box with the screws provided. Pull telephone wire tight and wire device as shown in **Figure 6**. Connect telephone wires to appropriate screw terminals as shown in "Step 3, TO INSTALL, Communication Circuit Wiring Methods".

7. Proceed with Steps 5 and 6 of the "TO INSTALL, COMMUNICATIONS CIRCUIT CONNECTIONS" section.

C. Surface Wiring:

1. Remove front cover.
2. Wire the communications (telephone) wire so that it enters the device from the outside surface of the wall through any of the 3 options as shown in the **Figure 7**, and route telephone wire as shown.
3. Connect telephone wires to appropriate screw terminals as shown in "Step 3, TO INSTALL, Communication Circuit Wiring Methods".
4. Proceed with Steps 4-6 of the "TO INSTALL, COMMUNICATIONS CIRCUIT CONNECTIONS" section. Please be sure to follow the requirements of EIA/TIA-570-A Residential Telecommunications Cabling Standard and NEC Article 800 Communications Circuits.

(COMMUNICATIONS CIRCUIT CONNECTIONS, TO INSTALL CONT'D):

3. Communications Circuits Wiring Methods

• Most 4-wire jacks use pair 1 and 2 color codes and will be wired as follows:

PAIR	TIP/RING	Band Stripe TP Wiring	Solid TP Wiring	Product Marking	PIN #
Pair 1	T	+	White/Blue	GR	5
	R	-	Blue/White	RD	4
Pair 2	T	+	Orange/White	BK	3
	R	-	White/Orange	YL	6

NOTE: Pins 1, 2, 7, and 8 (PR 3 and PR 4) are not connected.

4. Mount device such that the word "TOP" will be located on the top of the device under the front cover and connect the device to the wall box with the screws provided.

5. Place front cover on device.

6. Restore power after completing the installation.

(3) LOW-VOLTAGE POWER CONNECTIONS

WARNING: TO BE INSTALLED AND/OR USED IN ACCORDANCE WITH APPROPRIATE ELECTRICAL CODES AND REGULATIONS.

WARNING: IF YOU ARE NOT SURE ABOUT ANY PART OF THESE INSTRUCTIONS, CONSULT A QUALIFIED ELECTRICIAN.

WARNING: THIS PRODUCT PROVIDES DIRECT CURRENT OR DC VOLTAGE. DO NOT USE WITH CORDLESS PHONES WHICH ARE NOT SPECIFICALLY IDENTIFIED AS REQUIRING DC VOLTAGE. DO NOT USE WITH CORDLESS PHONES THAT INDICATE AN AC VOLTAGE REQUIREMENT. DAMAGE TO THE DEVICE COULD RESULT.

CAUTION: MAKE ALL VOLTAGE ADJUSTMENTS BEFORE YOU CONNECT THE POWER CORD TO CORDLESS PHONE.

OUTPUT PLUG SET UP:

1. **REVIEWING LABEL AND PLUG TYPE ON ADAPTER USED TO POWER PHONE.**

Review the label or ID plate on the original phone manufacturer's adapter or power supply used to power the cordless phone and the DC power jack on back of your cordless phone.

Figure 6 – Alternate Wiring

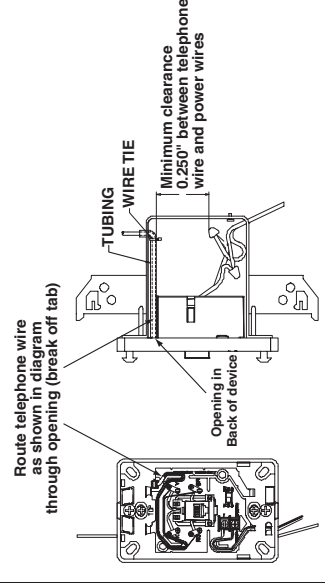
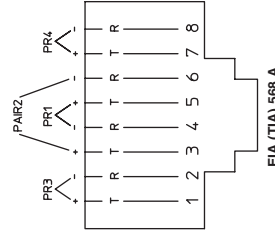
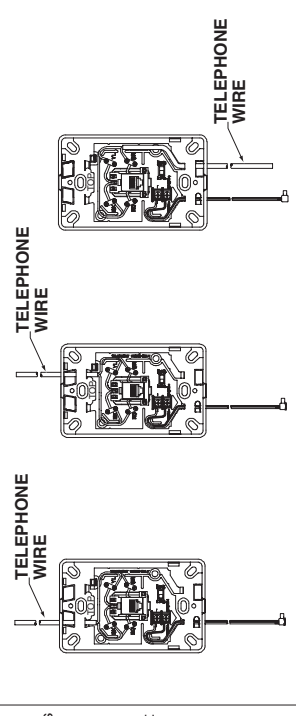


Figure 7 – Surface Wiring



2. SELECTING THE OUTPUT PLUG THAT MATCHES THE ADAPTER PLUG.

- A. Disconnect the AC adapter that you are replacing for the cordless phone to be powered.
- B. Examine the low-voltage output connector and compare it to the interchangeable plugs supplied with this device.
- C. Choose the plug that most closely resembles the original and insert into the device to be powered. It should fit firmly without forcing but may rotate in the receptacle. It is very important that the center contact or pin be of the correct size. If it is **too small**, the interchangeable plug will not insert. If it is **too large**, however, it may insert without making good electrical contact.
- D. After selecting the correct interchangeable plug, put the remaining plugs in a safe place for future use with other cordless phones.
- E. If your cordless phone is not compatible with the plugs provided, then many other sizes and styles are available from Leviton or your local electronics retailer.

3. DETERMINING THE PLUG POLARITY AND MATE PLUG TO CONNECTOR.

WARNING: TO AVOID DAMAGE TO THE DEVICE TO BE POWERED, INSURE THAT THE INTERCHANGEABLE PLUG IS INSTALLED CORRECTLY BY READING AND FOLLOWING THE INSTRUCTIONS BELOW. IF YOU CANNOT DETERMINE THE CORRECT INSTALLATION CONTACT LEVITON OR CORDLESS PHONE MANUFACTURER.

- If the DC power jack on back of your cordless phone or ID plate on the original manufacturer's adapter is marked "**Positive Tip**" as shown in **Figure 8**, align the word "TIP" on the power cord connector with (+) symbol on output plug.
- If the DC power jack on back of your cordless phone or ID plate on the original manufacturer's adapter is marked "**Negative Tip**" as shown in **Figure 9**, align the word "TIP" on the power cord connector with (-) symbol on output plug.

NOTE: **Figure 8** shows that the outside of the jack is Negative (-) and the inside (center) or "TIP" contact is Positive (+) which will be more common. **Figure 9** shows that the outside of the jack is Positive (+) and the inside (center) is Negative (-) which is less common.

4. SELECTING OUTPUT VOLTAGE SETTING.



Determine the required output voltage setting for your cordless phone by using one of the following methods:

1. Review the label, instruction sheet or ID plate on the original manufacturer's power supply or adapter used to power the cordless phone from a regular household 120 VAC outlet. Look for the words "OUTPUT" which are then followed by a number and VDC. Example:

OUTPUT: 12 VDC

2. Use the voltage indication marked next to input jack on the cordless phone to be powered. Example:

DC IN 12V or Vin = 12VDC

Select the appropriate voltage as follows:

- If the cordless phone is rated for 7 to 9 VDC, 660 mA max output current then slide the voltage select switch to **left** position (**refer to Figure 10A**).
- If the cordless phone is rated for 9.1 to 12 VDC, 500 mA max output current then slide the voltage select switch to **right** position (**refer to Figure 10B**).

NOTE: For secure low-voltage output power cord to phone, secure/route low-voltage output power cord in back of phone as shown in phone manufacturer instruction sheet or lay on top of wall plate.

NOTE: For new output cord installation.

For any reason if you are wiring the new output power cord instead of using the pre-installed output wire cord in the product then perform the wiring as shown in **Figure 11**.

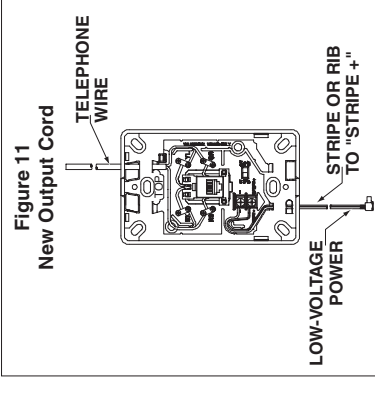
1. Connect the output power cord wire with no stripes or ribs to "-" terminal on the product.
2. Connect the output power cord wire with stripes or ribs to "stripe +" terminal on the product.

OPERATION

After you have properly adjusted the output voltage and installed an interchangeable plug:

- Insert the output power cord (interchangeable plug) into the Cordless Phone's DC input jack. The cordless phone should have a display or light that illuminates when the power is properly connected. Follow the Cordless phone manufacturer's directions for the proper operation of the device to be powered.
- **IN CASE OF DIFFICULTY:**

If the light or display on the cordless phone does not illuminate, disconnect the cordless phone and check the interchangeable plug connection for correct size and orientation and repeat Steps 3 and 4 of the "OUTPUT PLUG SETUP" section.





LEVITON INSTRUCTION SHEET/MANUAL SPECIFICATIONS

- Artwork No/Rev Level: DI-000-40215-02A
- Color(s): Black over
 1. _____
 2. _____
 3. _____
 4. _____
- Font Families: Helvetica
- Material Type: 50 Lb. offset
- Coating:
- Paper size: 16.535" X 11.693"
- Overall size: 16.535" X 11.693"
- Final fold size: 2.75" X 3.89"

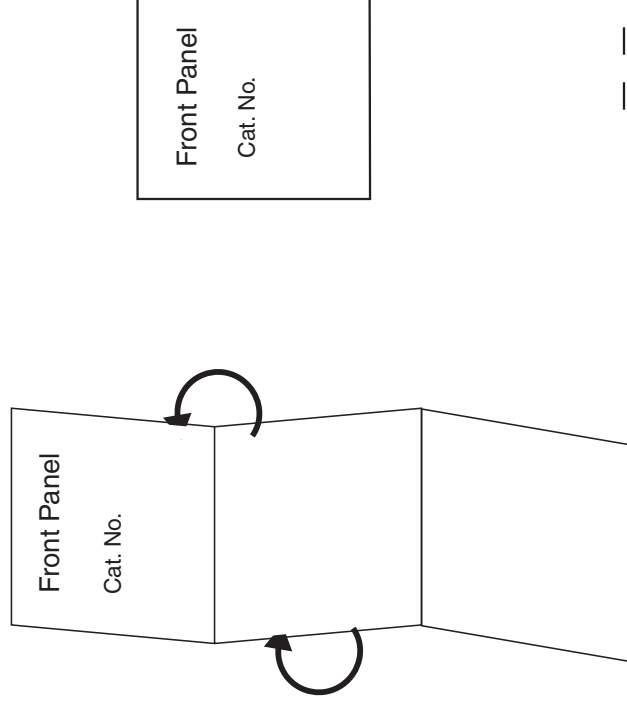
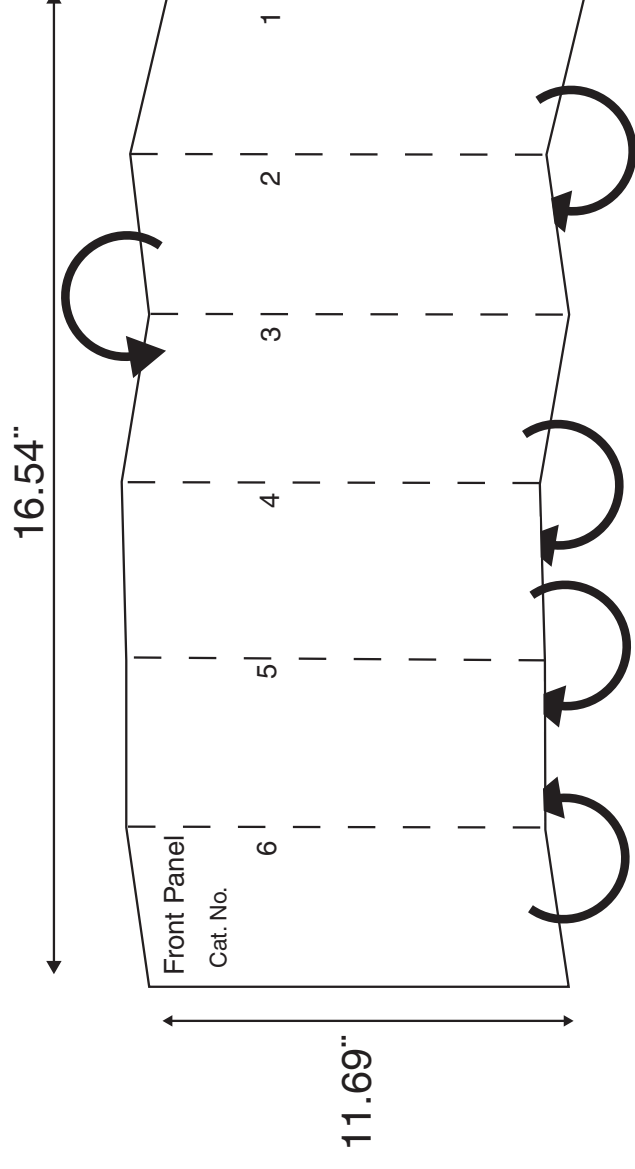
DOCUMENTATION

- ECO No.: N/A
- Artist: rde Date: 10/30/02

The information in this document is the exclusive PROPRIETARY property of LEVITON MANUFACTURING COMPANY, INC. It is disclosed with the understanding that acceptance or review by the recipient constitutes an undertaking by the recipient. (1) to hold this information in strict confidence, and (2) not to disclose, duplicate, copy, modify, or use the information for any purpose other than that for which disclosed.

Copyright © 1997 Leviton Mfg. Co. Inc.
Unpublished, All Rights Reserved

A3 – FOLD SCHEME



— — — — — Fold Line

..... Panel Line

#'s = Fold Sequence

