

Fast Cure Adhesive Style Connectors

APPLICATION

Leviton's new line of epoxy connectors feature an adhesive for quick and easy termination. The Fast Cure connectors are available in singlemode and multimode versions; the epoxy connectors come in a variety of configurations, including ST®, SC, FC, and LC. The Fast Cure line is designed for LAN, WAN, Cable TV Distribution Networks, Point to Point Systems, or anywhere epoxy style connectors are specified.

STANDARDS COMPLIANCE

Compliant with EIA/TIA 604 and 568-B standards.

DESIGN CONSIDERATIONS

- MOS and QuickPort® Frame and Workstation Products.
- Compatible with Leviton's adapters.
- Singlemode and multimode versions.
- Precision pre-radiused zirconia ferrules.
- High cable retention crimp.
- Supports 900µm and 3.0mm cable.

WARRANTY INFORMATION

- One-year limited product warranty and 15-year performance guarantee are standard.
- Product and performance warranties are extended to a Lifetime as part of Leviton's Certified Cabling System.

See ELECTRONIC FILES for CAD files (.DXF, .DWG, MS-DOS.EPS) on disk



For ELECTRONIC Typical Specs see (.TXT) file on disk.

TYPICAL SPECIFICATION

The fiber optic connectors shall be epoxy style and compliant with EIA/TIA 604 and 568-B standards. They come in singlemode and multimode versions for ST®, SC, FC and LC polishing styles. The connector ferrules shall be precision, pre-radiused zirconia and support 900µm and 3.0mm cable. The connectors shall come with a one-year limited product warranty and a 15-year performance guarantee. Product and performance warranties are extended to a Lifetime as part of Leviton's Certified Cabling System.

Fast Cure Adhesive Style Connectors

Fast Cure Adhesive Style Connectors

Connector Style	SC		LC		ST®	
	ZIRCONIA FERRULE		ZIRCONIA FERRULE		ZIRCONIA FERRULE	
	MULTIMODE	SINGLEMODE	MULTIMODE	SINGLEMODE	MULTIMODE	SINGLEMODE
Insertion Loss	<.24dB Typical	<.20 dB Typical	<.4 dB Typical	<.3 dB Typical	<.24dB Typical	<.29dB Typical
Back Reflection	-25 db Typical	-35 dB PC Polish -45 dB Super PC -55 dB Ultra PC	-25 db Typical	-30 dB PC Polish -40 dB Super PC -55 dB Ultra PC	-25 dB Typical	-30 dB PC Polish -40 dB Super PC -55 dB Ultra PC
Connector Repeatability	<.1 dB	<.1 dB	<.2 dB	<.1 dB	0.1 dB Typical	0.1 dB Typical
Operating Environment	-40° C to 85° C	-40° C to 85° C	-40° C to 85° C	-40° C to 85° C	-40° C to 85° C	-40° C to 85° C
Temperature Cycling (Loss Variation)	Insertion Loss <.1 dB Return Loss <5 dB	Insertion Loss <.1 dB Return Loss <5 dB	----	----	Insertion Loss <.2 dB Return Loss <5 dB	Insertion Loss <.2 dB Return Loss <5 dB
Vibration (Loss Variation)	Insertion Loss <.1 dB Return Loss <5 dB	Insertion Loss <.1 dB Return Loss <5 dB	----	----	Insertion Loss <.2 dB Return Loss <5 dB	Insertion Loss <.2 dB Return Loss <5 dB
Cable Retention	> 15 lb.	>15 lb.	>15 lb.	>15 lb.	>15 lb.	>15 lb.



For Applications Engineering Support – Call 1-425-485-4288; in USA call 1-800-722-2082
 Spec sheets and updates are also available at www.levitonvoicedata.com.



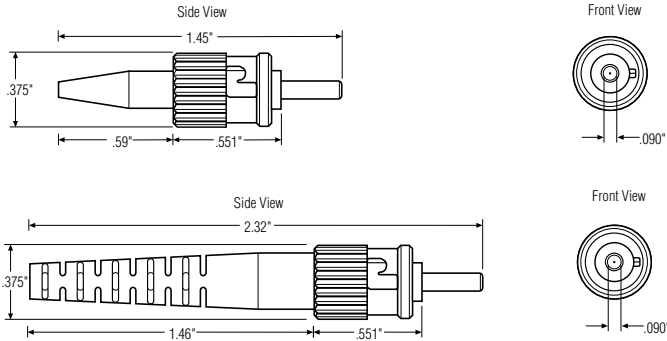
Fast Cure Adhesive Style Connectors

Part Numbers
49990-* 49886-*****
49800-***

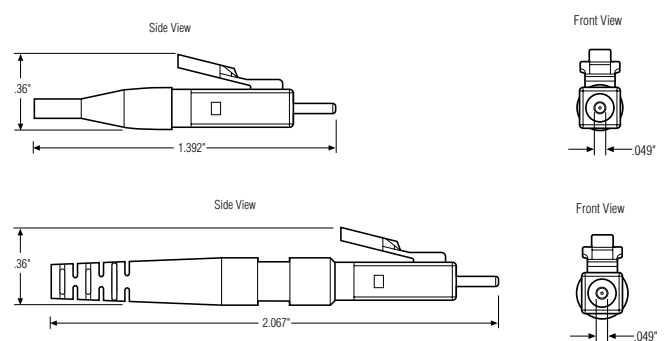
DIMENSIONAL LINE ART

See ELECTRONIC FILES for CAD images
 (.DXF, .DWG, MS-DOS.EPS)

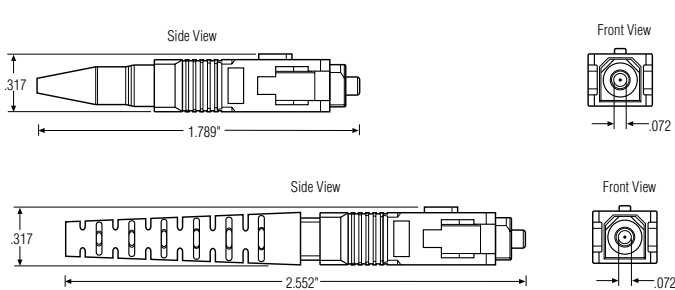
Fast Cure ST Connector



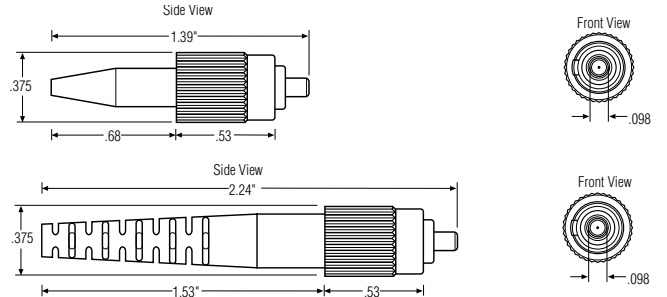
Fast Cure LC Connector



Fast Cure SC Connector



Fast Cure FC Connector



PART NUMBERS

Fast Cure Adhesive Style Connectors	Part No.
ST Multimode Connector	49990-MST
ST Singlemode Connector	49990-SST
SC Multimode Connector	49990-MSC
SC Singlemode Connector	49990-SSC
LC Multimode Connector w/ 3mm boot	49990-ML2
LC Singlemode Connector w/ 3mm boot	49990-SL2
LC Multimode Connector w/ .9mm boot	49990-MDL
LC Singlemode Connector w/ .9mm boot	49990-SDL
FC Multimode Connector	49990-MFC
FC Singlemode Connector	49990-SFC
Accessories	Part No.
LC Duplex Clips (Blue, SM, Pack of 25)	49886-DLS
LC Duplex Clips (Beige, MM, Pack of 25)	49886-DLM
SC Duplex Clips (Black, Pack of 25)	49886-DSC
Hardener & Primer Kit	49800-202
Crimp Tool with .128, .151, .178 hex die	49886-FCT
Replacement Needles 19 gauge (Pack of 100)	49886-FCN



For Applications Engineering Support – Call 1-425-485-4288; in USA call 1-800-722-2082.
 Spec sheets and updates are also available at www.levitonvoicedata.com.



2222 – 222nd St. SE • Bothell, WA 98021 USA • Tel: 1-800-722-2082 / 1-425-485-4288 • Fax: 1-425-483-5270 • Int'l Fax: 1-425-485-9170 • GSA# GS-35F-4785G

