



Low-Profile Rack-Mount Fiber Optic Patch Panels

1RU (1 Rack Unit High)

APPLICATION

For rack mount fiber applications requiring high-density patching, cross connect, and/or splicing of up to 24 singlemode or multi-mode fibers while utilizing a minimum of rack space.

STANDARDS COMPLIANCE

Allows full compliance with TIA/EIA-568-A, -606, and -607. UL Listed. CSA Certified.

PHYSICAL SPECIFICATIONS

Materials: Panels are constructed of 16 gauge steel, painted black with white Leviton logo. Fiber management rings are made of self-extinguishing plastic-rated UL 94V-0. Grommet material is Ensolite™.

Dimensions: 1.75"H x 19.0"W x 12.0"D.

Bulkheads: 24 Fiber Preconfigured SC Bulkhead (6 adapters)
24 Fiber Preconfigured ST Bulkhead (3 duplex adapters), or Empty Bulkhead, accepts any 2 Leviton fiber mounting plates (see chart on back for number of fibers in various configurations).

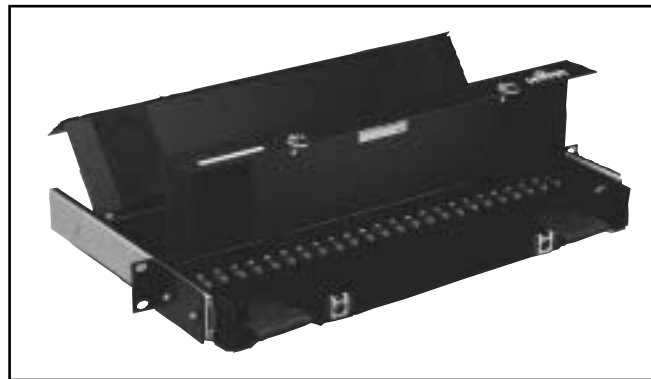
DESIGN CONSIDERATIONS

- Panels are available with or without adapters in them. Be sure to specify the desired configuration.
- Panels are available with one of three single-piece bulkhead options, SC, ST or an empty bulkhead with space for any 2 mounting plates.
- Specify the slide-rail option if desired for easier access and maintenance when other items will be mounted on the rack above the panel.
- Specify the width of the rack or cabinet to be used, as the mounting ears are adjustable for 19" (standard) or 23" (optional) mounting.
- Specify if splicing is to be used, and if so, what type.
- Recommend that panels be arranged to allow future growth.
- Designation stickers allow identification of port assignments.
- Panels are capable of storing up to 3 meters of 900 micron tight buffered fiber per connector.
- Door option: metal only.
- Includes hardware kit with Hook and Loop ties, curly locks, screws, a caution label, and cable ties.

UNIQUE FEATURES

- Adjustable dual-ring wire management.
- Self-healing, self-adhesive grommet material at all cable entry/exit points.
- Removable front and rear doors allow access to vertical cable passing through the panel, at both front and rear of panel.
- Slide-rail option allows easy installation and maintenance.

See ELECTRONIC FILES for CAD files (.DXF, .DWG, MS-DOS.EPS) on disk



TYPICAL SPECIFICATION

The patch panel shall accommodate fiber adapters in 1.75" (1RU) space (1 rack space). Adapters shall be pre-installed on bulkheads or mounted on metal plates, and attached to the empty bulkhead using plastic plungers. The mounting plates shall have a port designation number stamped into the metal near the adapter. Panels shall also be available empty with one of three single piece mounting plates, i.e., 24 ST openings, 12 duplex SC openings or 2 metal mounting plate openings. The patch panel shall have removable front and rear doors as well as a removable lid. There shall be vertical and horizontal ingress/egress features in the form of slots in the top, bottom and sides of the panel, both front and rear. All ingress/egress slots shall be covered with a self-adhesive UL 94V-0 rated grommet material. All ingress/egress slots shall have a strain relief post with a slot capable of holding a tie wrap. The panel shall provide strain relief in the form of a grounding lug and multiple tie wrap points. The panel must have mounting ears that allow mounting on 19" or 23" hole centers in either a mid- or flush-mount configuration. The panel shall have dual, adjustable plastic cable management rings made of high impact UL 94V-0 rated self-extinguishing plastic. The patch panel shall be capable of having a slide feature attached to it to allow the entire box to be moved in and out of the rack. A port identification label/card shall be provided. The panel shall be made of 16 gauge steel, painted black. A one-year limited warranty shall be provided by the manufacturer. A lifetime warranty against defects in material and workmanship shall be provided by the manufacturer for this unit when it is installed in a certified system.

WARRANTY INFORMATION

- One-year limited product warranty and 15-year performance guarantee are standard.
- Product and performance warranties are extended to a Lifetime as part of Leviton's Certified Cabling System.

Low-Profile Rack-Mount Fiber Optic Patch Panels



For Applications Engineering Support – Call 1-425-485-4288; in USA call 1-800-722-2082
Spec sheets and updates are also available at www.levitonvoicedata.com.

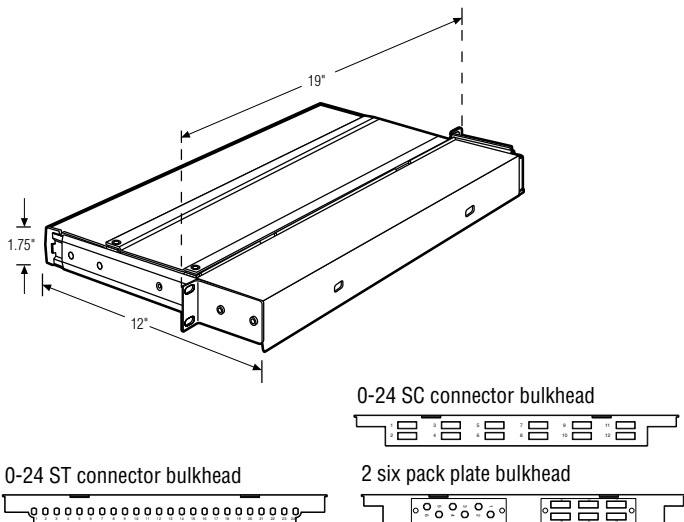


Low-Profile Rack-Mount Fiber Optic Patch Panels

Part Number
5Rx30-xxx, 5Px30-xxx

DIMENSIONAL LINE ART

See ELECTRONIC FILES for CAD images
 (.DXF, .DWG, MS-DOS.EPS)



PART NUMBER

| Low-Profile Rack-Mount Panels (1RU) w/o Rails | |
|--|-----------------|
| 1.75"H x 19.0"W x 12.0"D | Part No. |
| 24 Fiber ST Bulkhead w/6 adapters | 5R030-0AB |
| 24 Fiber SC Bulkhead w/3 duplex adapters | 5R030-0HB |
| 12-24 Fiber, empty (accepts 2 bulkheads, sold sep.) | 5R130-00N |
| 12 Fiber, loaded w/ST adapters | 5R230-0AB |
| 12 Fiber, loaded w/6 duplex SC adapters | 5R230-0HB |
| 24 Fiber, unloaded, punched for ST adapters | 5R330-0AA |
| 24 Fiber, unloaded, punched for duplex SC adapters | 5R330-0HA |
| 24 Fiber loaded w/ST adapters | 5R330-0AB |
| 24 Fiber loaded w/12 duplex SC adapters | 5R330-0HB |
| Add-On Slide Rail Kit | |
| Part No. | |
| Slide Rail Kit for 0-24 or 0-72 fiber Rack-Mount panels only | 5S100-SLM |
| Low-Profile Rack-Mount Panel (1RU) w/Rails | |
| 1.75"H x 19.0"W x 12.0"D | Part No. |
| 24 Fiber ST Bulkhead w/6 adapters | 5P030-0AB |
| 24 Fiber SC Bulkhead w/3 duplex adapters | 5P030-0HB |
| 12-24 Fiber empty (accepts 2 bulkheads, sold sep.) | 5P130-00N |
| 12 Fiber loaded w/ST adapters | 5P230-0AB |
| 12 Fiber loaded w/6 duplex SC adapters | 5P230-0HB |
| 0-24 Fiber unloaded, punched for ST adapters | 5P330-0AA |
| 0-24 Fiber unloaded, punched for duplex SC adapters | 5P330-0HA |
| 24 Fiber loaded w/ST adapters | 5P330-0AB |
| 24 Fiber loaded w/12 duplex SC adapters | 5P330-0HB |

FIBER DENSITY CHART

RACK-MOUNT OPTIONS

Low Profile 1RU

Holds 1 High-Density Bulkhead w/ or w/out 2 Mounting Plates
 6-pack ST or FC = up to 12 Fibers
 8-pack ST or FC = up to 16 Fibers
 3-pack Duplex SC = up to 12 Fibers
 6-pack SC = up to 24 Fibers
 6-pack MT-RJ = up to 24 Fibers
 12-pack MT-RJ = up to 48Fibers

2RU

Holds up to 6 Mounting Plates
 6-pack ST or FC = up to 36 Fibers
 8-pack ST or FC = up to 48 Fibers
 3-pack Duplex SC = up to 36 Fibers
 6-pack SC = up to 72 Fibers
 6-pack MT-RJ = up to 72 Fibers
 12-pack MT-RJ = up to 144Fibers

3RU

Holds up to 12 Mounting Plates
 6-pack ST or FC = up to 72 Fibers
 8-pack ST or FC = up to 96 Fibers
 3-pack Duplex SC = up to 72 Fibers
 6-pack SC = up to 144 Fibers
 6-pack MT-RJ = up to 144 Fibers
 12-pack MT-RJ = up to 288Fibers

6RU

Holds up to 24 Mounting Plates
 6-pack ST or FC = up to 144 Fibers
 8-pack ST or FC = up to 192 Fibers
 3-pack Duplex SC = up to 144 Fibers
 6-pack SC = up to 288 Fibers
 6-pack MT-RJ = up to 288 Fibers
 12-pack MT-RJ = up to 576 Fibers

WALL-MOUNT OPTIONS

Small

Holds up to 2 Mounting Plates
 6-pack ST or FC = up to 12 Fibers
 8-pack ST or FC = up to 16 Fibers
 3-pack Duplex SC = up to 12 Fibers
 6-pack SC = up to 24 Fibers
 6-pack MT-RJ = up to 24 Fibers
 12-pack MT-RJ = up to 48Fibers

Medium

Holds up to 4 Mounting Plates
 6-pack ST or FC = up to 24 Fibers
 6-pack ST or FC = up to 32 Fibers
 3-pack Duplex SC = up to 24 Fibers
 6-pack SC = up to 48 Fibers
 6-pack MT-RJ = up to 48 Fibers
 12-pack MT-RJ = up to 96 Fibers

Large

Holds up to 12 Mounting Plates
 6-pack ST or FC = up to 72 Fibers
 8-pack ST or FC = up to 96 Fibers
 3-pack Duplex SC = up to 72 Fibers
 6-pack SC = up to 144 Fibers
 6-pack MT-RJ = up to 144 Fibers
 12-pack MT-RJ = up to 288 Fibers

ACCESSORIES

| Doors | Part No. |
|--|-----------------|
| 3.5" Metal Door | 5D000-3RM |
| 3.5" Poly Door | 5D000-3RP |
| Splice Tray Kits/Helpers | |
| Part No. | |
| 12 Splice Ditel Fusion Splice Tray Kit | 5T000-00T |
| Fibrlock™ Splice Holder | 5T000-3MT |
| AT&T Rotary Splice Holder | 5T000-ATT |
| Lock | |
| Part No. | |
| Lock and Key | 5L000-LOK |
| Rings | |
| Part No. | |
| Additional Fiber Rings (package of 2) | 5R100-0FR |
| Slide Mounts | |
| Part No. | |
| Slide Mounts (kit) | 5S100-SLM |

For Applications Engineering Support – Call 1-425-485-4288; in USA call 1-800-722-2082.
 Spec sheets and updates are also available at www.levitonvoicedata.com.



2222 – 222nd St. SE • Bothell, WA 98021 USA • Tel: 1-800-722-2082 / 1-425-485-4288 • Fax: 1-425-483-5270 • Int'l Fax: 1-425-485-9170 • GSA# GS-35F-4785G