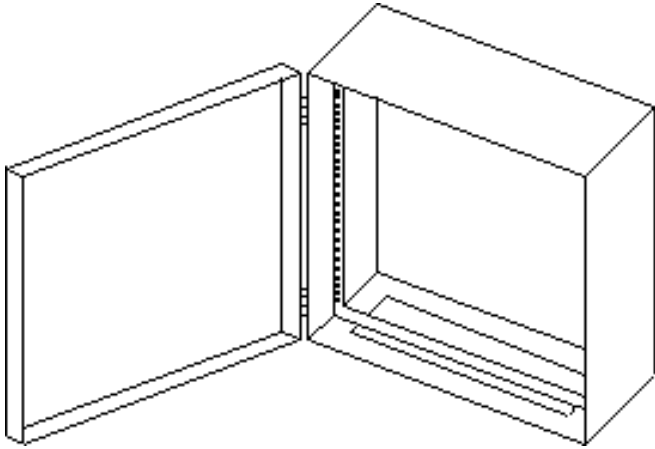


Sub Distribution Boxes



Features

- 19" wide rack mounting
- Included swing frame provides access to rear of equipment
- All welded construction
- Back and bottom open for cable entry
- Optional Plexiglas doors

Specifications

- Formed carbon steel construction
- All welded construction
- Full length piano hinge on door
- Swing rails constructed from 14 gauge carbon steel, zinc plated and tapped #10-32 on EIA standard spacing
- Available in standard IBM white color

Ordering Information

SWE500	Sub-D Box 23"Wx7"Dx15"H
SWE500-P	Sub-D Box 23"Wx7"Dx15"H w/Plex Door (6 rack spaces)
SWE501	Sub-D Box 23"Wx10"Dx31"H
SWE501-P	Sub-D Box 23"Wx10"Dx31"H w/Plex Door (14 rack spaces)
SWE502	Sub-D Box 23"Wx20"Dx31"H
SWE502-P	Sub-D Box 23"Wx20"Dx31"H w/Plex Door (14 rack spaces)
SWE503	Sub-D Box 23"Wx10"Dx40"H
SWE503-P	Sub-D Box 23"Wx10"Dx40"H w/Plex Door (19 rack spaces)
SWE504	Sub-D Box 23"Wx20"Dx40"H
SWE504-P	Sub-D Box 23"Wx20"Dx40"H w/Plex Door (19 rack spaces)

Note: Optional Plexiglas door delivered with lock. Solid door may be ordered with a lock at an additional nominal charge. Add a "-L" to the part number to specify a lock for a solid door.

