

QuickPort® Multimedia Outlet System (MOS) Fiber Storage/Spacer Ring

APPLICATION

For fiber optic cable storage/management and bend radius protection behind MOS double-gang flush-mount wall outlets or dual-gang surface mount boxes. Use with a double-gang MOS wallplate for a flush-mount look where fiber storage/management is also desired.

STANDARDS COMPLIANCE

UL listed. Complies with TIA/EIA-568-B; and meets FCC Part 68. CSA certified.

PHYSICAL SPECIFICATIONS

Max. Capacity: Two 1-meter lengths of 900 micron jacketed fiber optic cable
Materials: High-impact self-extinguishing ABS plastic rated UL 94V-0
Dimensions: See line art on back

DESIGN CONSIDERATIONS

- Ring is for fiber cable only.
- Adds .6" depth to the wallplate and provides 1/2" wire management pathway.
- Can store two 1-meter lengths of 900 micron jacketed fiber optic cable.
- Mounts to standard double-gang NEMA openings, or four-square boxes with appropriate reducer/adaptor.

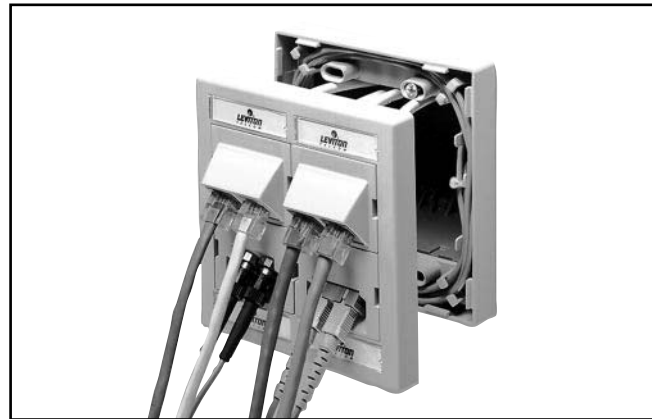
UNIQUE FEATURES

- Fiber coil bend radius is guided and protected by side tabs and corner 'C' clips.
- Slotted mounting holes let installers level the ring if backbox is crooked.

INSTALLATION NOTES

- Ring mounts to wallbox or backbox; only one screw is needed at this stage—it will be fully secured when the wallplate is mounted. (See instructions provided with wallplate.)
- Tie-wrap areas are provided to anchor the fiber where it first enters the ring, and secure it again when fully coiled.
- If copper cable is also being installed in the wallplate, leave it coiled in the wallbox while routing fiber cables.
- Limit cable jacket removal to a minimum.
- Leave enough cable to arc into the back of the connector ports when the wallplate is installed; observe cable manufac-

See ELECTRONIC FILES for CAD files (.DXF, .DWG, MS-DOS.EPS) on disk



For ELECTRONIC Typical Specs see (.TXT) file on disk.

turer's recommended bend radius.



TYPICAL SPECIFICATION

The fiber cable storage/spacer ring shall mount behind a front-load double-gang wallplate or on top of dual-gang surface mount box to provide .6" extra depth and a guided cable path in support of TIA/EIA-568-B bend radius requirements. Capacity shall be two 1-meter lengths of 900 micron jacketed fiber optic cable, managed by side tabs and corner 'C' clips. The storage ring shall be made of high-impact self-extinguishing ABS plastic rated UL 94V-0. Tie-wrap areas must be provided to allow the installer to anchor the fiber where it first enters the ring, and secure it again when fully coiled. Colors and configurations to be specified per schedule on plan. The manufacturer shall provide a one-year limited product warranty and 15 year product performance guarantee. The manufacturer shall provide a lifetime warranty against defects in material and workmanship and an application guarantee when installed as part of a certified system.

WARRANTY INFORMATION

- One-year limited product warranty and 15-year performance guarantee are standard.
- Product and performance warranties are extended to a Lifetime as part of Leviton's Certified Cabling System.



For Applications Engineering Support – Call 1-425-485-4288; in USA call 1-800-722-2082
Spec sheets and updates are also available at www.levitonvoicedata.com.



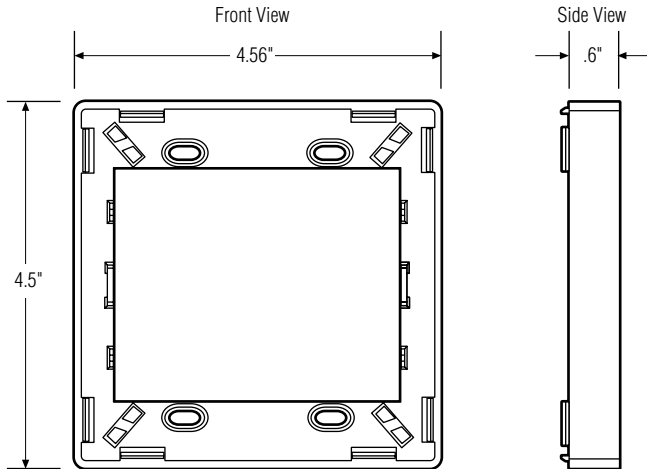
QuickPort® Multimedia Outlet System (MOS)

Part Number
41290-DR*

.....

DIMENSIONAL LINE ART

See ELECTRONIC FILES for CAD images
(.DXF, .DWG, MS-DOS.EPS)



PART NUMBERS

QuickPort MOS Fiber Storage/Spacer Ring	Part No.
Double-Gang MOS Fiber Ring	41290-DR*
* = color choices: Ivory (I), White (W), Gray (G), Black (E)	



For Applications Engineering Support – Call 1-425-485-4288; in USA call 1-800-722-2082.
Spec sheets and updates are also available at www.levitonvoicedata.com.



2222 – 222nd St. SE • Bothell, WA 98021 USA • Tel: 1-800-722-2082 / 1-425-485-4288 • Fax: 1-425-483-5270 • Int'l Fax: 1-425-485-9170 • GSA# GS-35F-4785G

