

QuickPort® Snap-In Connectors

F, BNC, Simplex ST and Simplex FC

APPLICATION

Voice/data/image connectivity for workstation cabling termination on coaxial or multimode fiber cable. QuickPort® bulkhead modules snap into any housing with the QuickPort name—flush and surface mount outlets; Multimedia Outlet System (with adapter); patch panels; and patch blocks.

STANDARDS COMPLIANCE

Meets all applicable standards: UL Listed.

PHYSICAL SPECIFICATIONS

Materials:	Snap-in module bodies are high-impact, fire retardant plastic rated UL 94V-0.
ST® Adapter:	Singlemode/multimode zirconia sleeve. Singlemode/multimode phos. bronze sleeve.
FC Adapter:	Simplex singlemode/multimode zirconia sleeve. Simplex singlemode/multimode phos. bronze sleeve.
Dimensions:	F-Type Bulkhead: .659"h x .600"w x 1.1"d BNC Bulkhead: .659"h x .600"w x 1.4"d ST Fiber Adapter: .659"h x .600"w x 1.3"d FC Fiber Adapter: .83"h x .64"w x 1.01"d

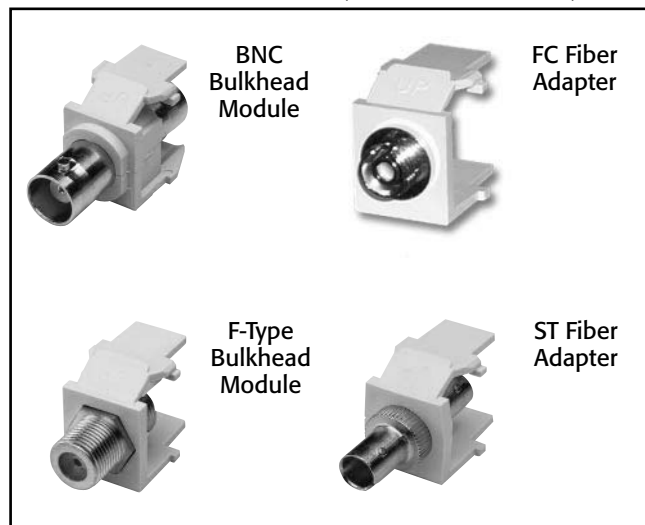
DESIGN CONSIDERATIONS

- Female-female bulkhead adapters.
- Twist-on feature for easy termination.
- FC and ST adapter are singlemode/multimode available in zirconia or phos. bronze sleeves.
- Configure one adapter per fiber.
- F-type connector works for both RG-6 and RG-59 applications.
- QuickPort bulkhead modules snap into any housing with the Quick-Port name: flush and surface mount outlets; Multimedia Outlet System (with adapter); patch panel; and patch blocks.
- Check clearance behind proposed location of bulkhead module, to ensure space for proper bend radius of cabling media.
- Bulkhead modules are available in four colors (ivory, white, grey and black) to match the housings or provide unique color-coding for port I.D.

WARRANTY INFORMATION

- Two-year limited product warranty.
- Product and performance warranties are extended to a Lifetime as part of Leviton's Certified Cabling System.

See ELECTRONIC FILES for CAD files (.DXF, .DWG, MS-DOS.EPS) on disk



For ELECTRONIC Typical Specs see (.TXT) file on disk.

TYPICAL SPECIFICATION

The modules for coaxial and fiber optic cabling media shall be individual snap-in style female-to-female bulkhead adapters, and shall fit all other installed telecommunications wallplates, outlets and field-configurable patch panels and patch blocks. Bulkhead modules shall be available in four colors (ivory, white, grey and black) to match the housings or provide unique color-coding for port I.D.; colors and configurations to be specified per schedule on plan. Modules shall be UL listed. All plastics used in construction of the module bodies shall be fire-retardant with a UL flammability rating of 94V-0. The ST and Simplex FC adapters shall be singlemode/multimode available in with zirconia or phos. bronze sleeves. The manufacturer shall provide a two-year limited product warranty; the manufacturer shall provide a lifetime product and performance warranty when installed as part of a certified system.

QuickPort® Snap-In Connectors



For Applications Engineering Support – Call 1-425-485-4288; in USA call 1-800-722-2082
Spec sheets and updates are also available at www.levitonvoicedata.com.



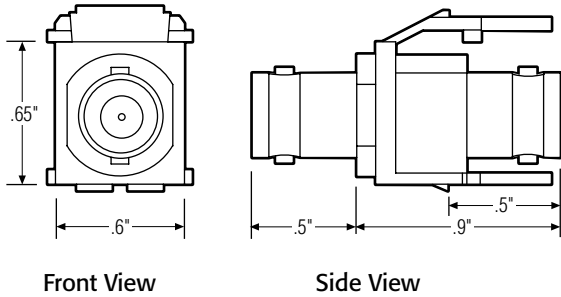
QuickPort® Snap-In Bulkhead Modules

Part Number
41084-xxx

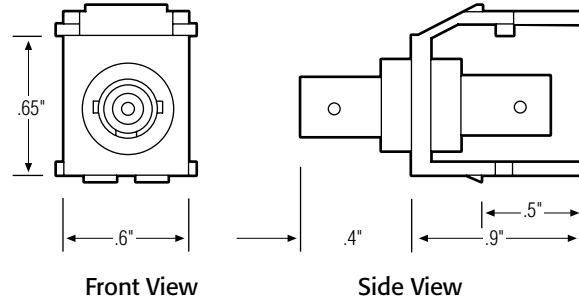
DIMENSIONAL LINE ART

See ELECTRONIC FILES for CAD images
(.DXF, .DWG, MS-DOS.EPS)

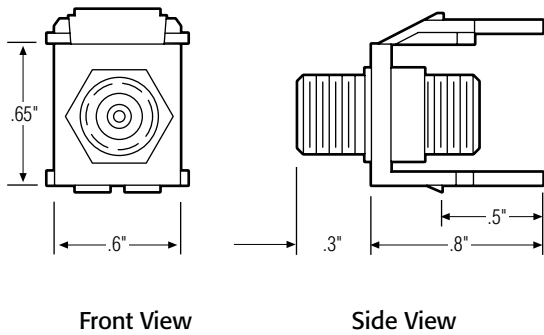
BNC Bulkhead Module



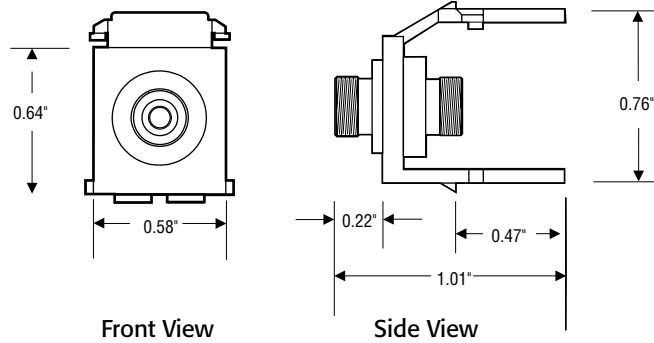
ST Fiber Optic Adapter



F-Type Connector



Simplex FC QuickPort Adapter



PART NUMBERS

QuickPort 12-Port Surface Mount Housing	Part No.
BNC Bulkhead Module	41084-B*F
F-Type Bulkhead Module	41084-F*F
ST QuickPort Fiber Optic Adapter, SM/MM, Phos. Bronze Sleeve	41084-S*F
ST QuickPort Fiber Optic Adapter, SM/MM, Zirconia Sleeve	41084-S*Z
Simplex FC QuickPort, SM/MM, Phos. Bronze Sleeve	41084-F*P
Simplex FC QuickPort, SM/MM, Zirconia Sleeve	41084-F*Z

* = Color: Ivory (I), White (W), Grey (G), Black (E)



For Applications Engineering Support – Call 1-425-485-4288; in USA call 1-800-722-2082.
Spec sheets and updates are also available at www.levitonvoicedata.com.



2222 – 222nd St. SE • Bothell, WA 98021 USA • Tel: 1-800-722-2082 / 1-425-485-4288 • Fax: 1-425-483-5270 • Int'l Fax: 1-425-485-9170 • GSA# GS-35F-4785G