

Wall Baffle Wooden Speaker Assemblies

Models WBS8T725 & variations, WBS810T725



WBS8T725

Description

Bogen Wall Baffle Speakers consist of 8" cone speakers (S86 or S810) pre-assembled into a simulated walnut-finished wooden enclosure with a black grille cloth on front. These wall baffles are handsomely styled and ruggedly built with 3/8" particle board reinforced at the corners. Designed for wall mounting, the face is angled downward 13.5 degrees. Available options include recessed volume control and terminal strip.

Features

- 4-watt capacity
- 6 power taps available (4, 2, 1, 1/2, 1/4, 1/8 watts)
- Works with both 70V and 25V amplifier outputs
- Simulated walnut finish
- Pre-assembled for faster installation
- 8" cone speaker for excellent audio quality
- 6 oz. or 10 oz. magnet weights
- Recessed volume control available (V models only)
- Screw terminals available (BR models only)
- Easy wall-mount installation
- Mounting hardware included

Technical Specifications

Model	Power Taps (in Watts)	Frequency Response	Sensitivity (4 ft./1W)	Magnet Weight	No Volume Control	Recessed Volume Control (V)	Screw Terminals (BR)	Shipping Weight (4/Carton)	Dimensions
WBS8T725	4, 2, 1, 1/2, 1/4, 1/8 @25V & 70V	50 Hz- 12 kHz	95 dBspl	6 oz.	●			18 lb. / carton	9-1/2" W x 9-1/2" H x 5-1/4" D (3-1/4" D @ bottom)
WBS8T725V						●			
WBS8T725BR					●		●		
WBS8T725BRV						●		●	
WBS810T725		70 Hz- 15 kHz	96 dBspl	10 oz.	●			20 lb. / carton	

**Architect
and Engineer
Specifications**

WBS8T725 The surface-mounting loudspeaker assembly shall be a Bogen model **WBS8T725** (or **WBS8T725V**, **WBS8T725BR**, or **WBS8T725BRV**), or equivalent, 8" cone-type loudspeaker having a frequency response of at least 50 Hz to 12 kHz. Axial sensitivity shall be 95 dB, measured at 1-watt/4 feet. The loudspeaker shall have a 6 oz. ceramic magnet and a 3/4" voice coil. A transformer, capable of matching an 8-ohm loudspeaker to a 25-volt or 70-volt line, and providing power taps of 4, 2, 1, 1/2, 1/4, and 1/8 watts shall be included. The transformer primary and secondary leads shall be stripped, tinned, and shall be at least 6" in length.

The loudspeaker shall be assembled in a wall baffle for surface mounting, angled 13.5 degrees for downward sound dispersion. The baffle shall be constructed of 3/8" particle board, glued and covered in simulated walnut vinyl. Glue blocks shall be used to reinforce all side corner joints. The speaker opening shall be covered with a black grille cloth. Overall dimensions shall be 9-1/2" W x 9-1/2" H x 5-1/4" D (top) x 3-1/4" D (bottom).

(For **WBS8T725V** add) The assembly shall include a control for adjusting the volume of the loudspeaker.

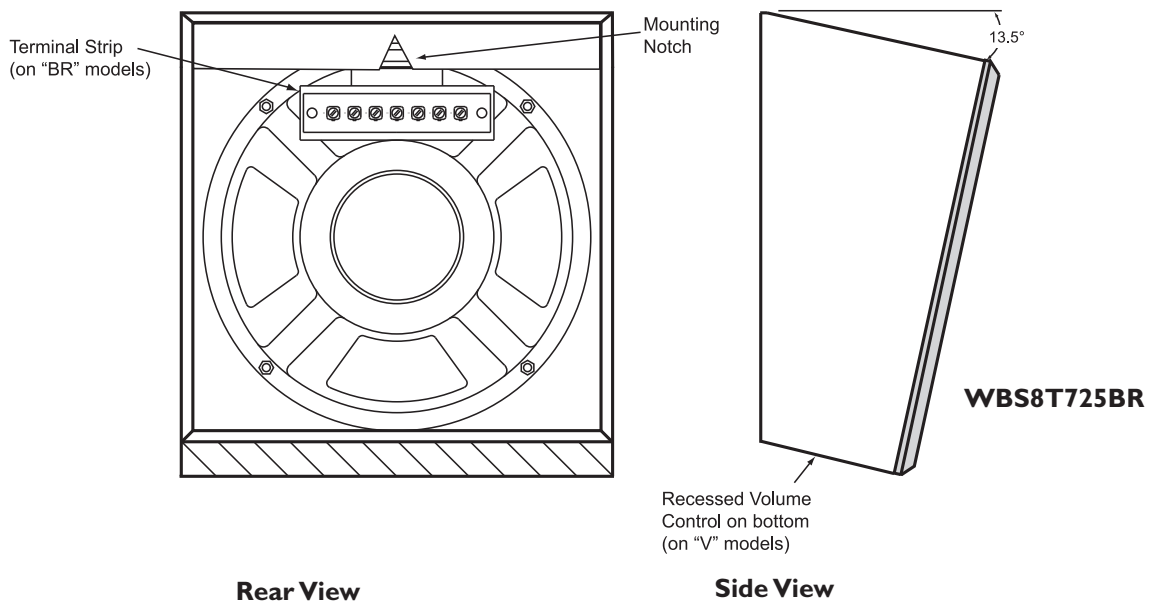
(For **WBS8T725BR** add) A terminal strip shall be included for connection of the audio line. Terminals shall be labeled for 4, 2, 1, 1/2, 1/4, and 1/8-watt power connection.

(For **WBS8T725BRV** add) A terminal strip shall be included for connection of the audio line. Terminals shall be labeled for 4, 2, 1, 1/2, 1/4, and 1/8-watt power connection. A control shall also be included for adjusting the volume of the loudspeaker.

WBS810T725 The surface mounting loudspeaker shall be a Bogen model **WBS810T725**, or equivalent, 8" cone-type loudspeaker having a frequency response of at least 70 Hz to 15 kHz. Axial sensitivity shall be 96 dB, measured at 1-watt/4-feet. The loudspeaker shall have a 10 oz. ceramic magnet and a 1" voice coil. A transformer, capable of matching an 8-ohm loudspeaker to a 25-volt or 70-volt line, and providing power taps of 4, 2, 1, 1/2, 1/4, and 1/8 watts shall be included. The transformer primary and secondary leads shall be stripped, tinned, and shall be at least 6" in length.

The loudspeaker shall be assembled in a wall baffle for surface mounting, angled 13.5 degrees for downward sound dispersion. The baffle shall be constructed of 3/8" particle board, glued and covered in simulated walnut vinyl. Glue blocks shall be used to reinforce all side corner joints. The speaker opening shall be covered with a black grille cloth. Overall dimensions shall be 9-1/2" W x 9-1/2" H x 5-1/4" D (top) x 3-1/4" D (bottom).

**Line
Drawings**



**BOGEN[®]
COMMUNICATIONS, INC.**

50 Spring Street, Ramsey, NJ 07446, U.S.A.
Tel: 201-934-8500; FAX: 201-934-9832; www.bogen.com