

8-Port Double Gang Bottom Angled Faceplate

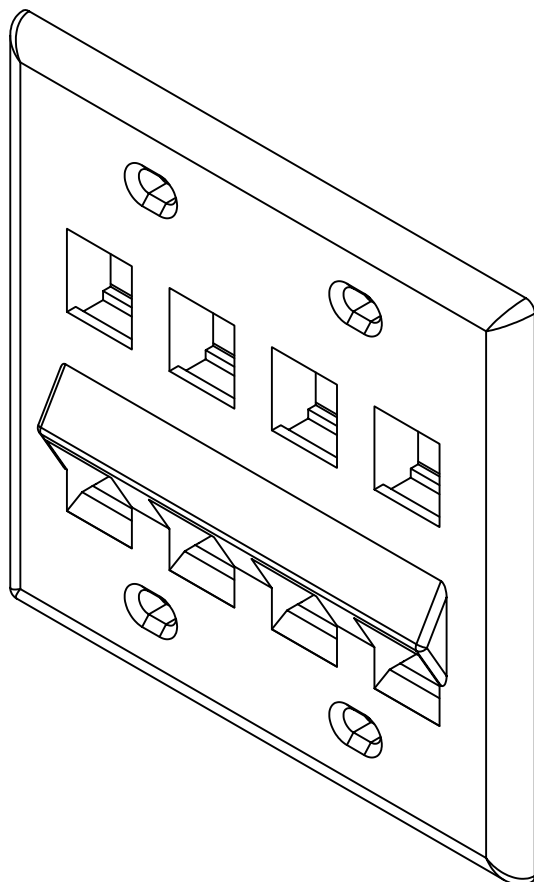
PRODUCT SPECIFICATION

Sold by:



Package includes:

- A. 8-Port Double Gang Bottom Angled Faceplate, 1 pc
- B. #6-32 x 3/4" Oval Head, Countersink Machine Screw, 4 pcs



8-Port Bottom Angled Faceplate

Features and Benefits:

- Configured to fit standard double gang outlet box
- Designed to support the distribution of voice, data, and other communication needs to the work area for commercial or residential applications
- Rugged and durable construction
- Angled opening provides for a low profile and strain relief
- Accommodates a wide variety of easy to snap-in modules, providing configuration flexibility
- Accepts all IC107 modules
- Available in ivory and white
- UL listed

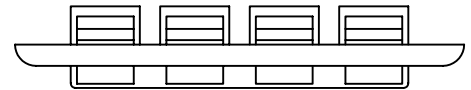
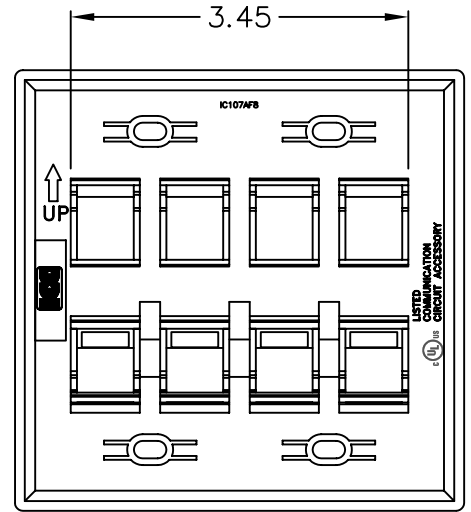
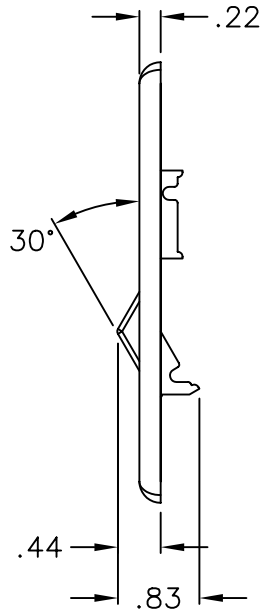
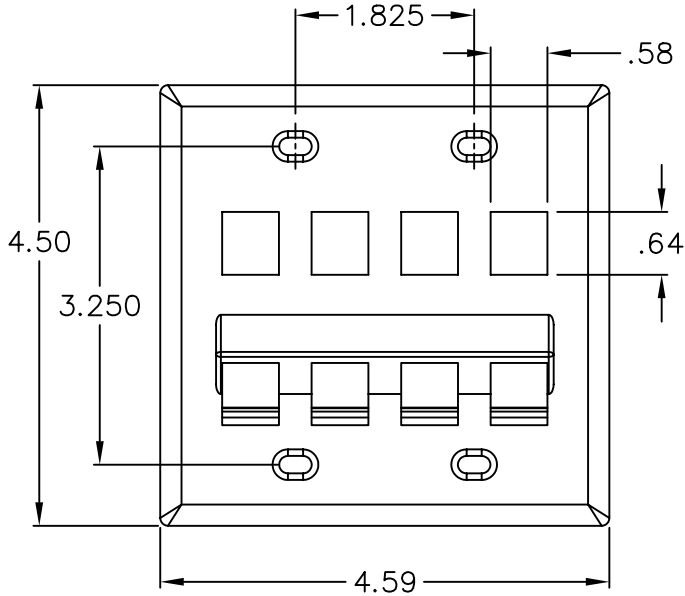
FACEPLATE, BOTTOM ANGLED, 2-GANG, 8-PORT

ITEM NO.	IC107AF8XX
DWG NO.	PS107AF800

REV.	A
PAGE NO.	1





CUSTOMER CARE / TECHNICAL SUPPORT * CSR@ICC.COM / 888-ASK-4-ICC (275-4422) * 14700 Alondra Blvd., La Mirada, CA 90638 * www.icc.com



NOTE: UNLESS OTHERWISE SPECIFIED

1. MATERIAL: ABS, UL 94V-0
2. FINISH: TEXTURE
3. COLOR: XX: IV-IVORY & WH-WHITE

 US FILE NO. 125268

FACEPLATE, BOTTOM ANGLED, 2-GANG, 8-PORT		 <i>PremiumProducts</i> <i>ProvenPerformance</i> <i>CompetitivePrices</i>	
ITEM NO.	IC107AF8XX		REV. A
DWG NO.	PS107AF800	PAGE NO.	2

CUSTOMER CARE / TECHNICAL SUPPORT * CSR@ICC.COM / 888-ASK-4-ICC (275-4422) * 14700 Alondra Blvd., La Mirada, CA 90638 * www.icc.com