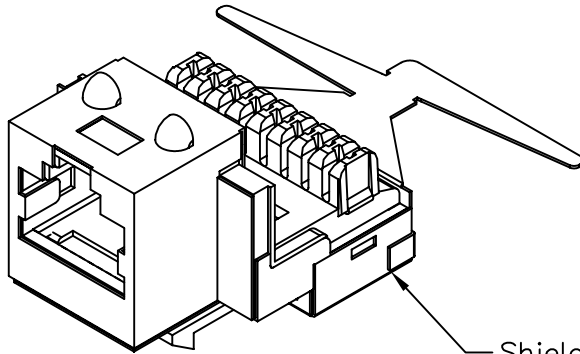


8P8C Shielded Category 5e Module

Sold by:



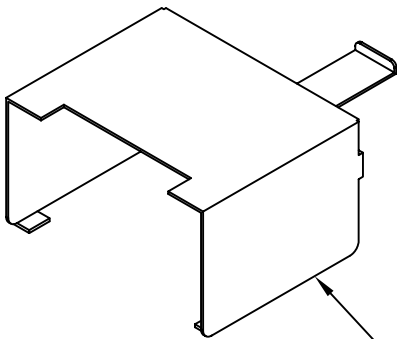
PRODUCT SPECIFICATION



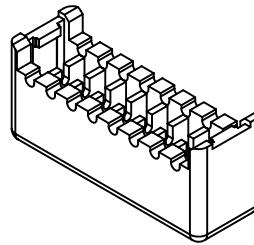
Shielded CAT 5e Module

Package includes:

- A. 8P8C Shielded Category 5e Module, 1 pc
- B. Termination Cap, 1 pc
- C. Shielded Cover, 1 pc
- D. Installation Instructions, 1 sheet



Shielded Cover



Termination Cap

Features and Benefits:

- Screened Twisted Pair (ScTP) CAT 5e rated connectors provide excellent performance for data networks requiring maximum speed and bandwidth
- Lead frame technology provides maximum performance and uninterrupted signal integrity
- Enhanced crosstalk cancellation reduces return loss and improves performance by rejecting noise and unwanted signals
- Exceeds ANSI/TIA/EIA-568-B.2 Category 5e connecting hardware requirements
- Engineered to provide 110 IDC termination reducing installation time
- One piece termination cap allows for a quick and easy termination
- Provides shielding against electro-magnetic interference (EMI)
- Includes an integrated TIA-568A/B color wiring diagram
- Backwards compatible to all lower rated category components
- Compatible with all IC107 faceplates, inserts, surface mount boxes, and blank patch panels
- Compatible with all IC108 furniture faceplates, bezels, and surface mount boxes
- Used with ICC Category 5e shielded ICPCSS patch cords and 110 punch down tool ICACSPDT00
- Installation instructions #MSR-0272 included
- UL listed

MODULE, CAT 5E, SHIELDED

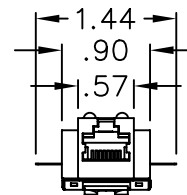
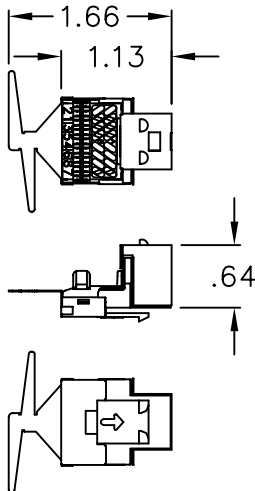
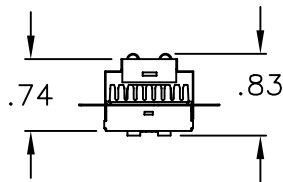
ITEM NO. IC1078S500
DWG NO. PS1078S500

REV. A
PAGE NO. 1

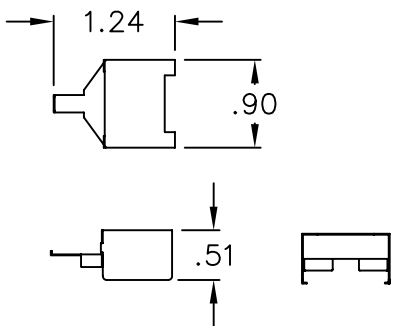


CUSTOMER CARE / TECHNICAL SUPPORT * CSR@ICC.COM / 888-ASK-4-ICC (275-4422) * 14700 Alondra Blvd., La Mirada, CA 90638 * www.icc.com

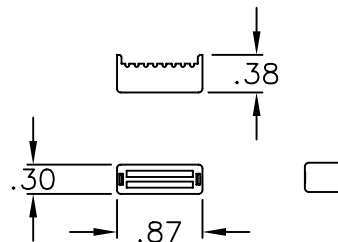
T568B WIRING		T568A WIRING	
2	ORANGE	2	GREEN
1	WHITE/ORANGE	1	WHITE/GREEN
3	WHITE/GREEN	3	WHITE/ORANGE
3	WHITE/BLUE	3	WHITE/BLUE
4	BLUE	4	BLUE
4	GREEN	4	ORANGE
5	BROWN	5	BROWN
7	WHITE/BROWN	7	WHITE/BROWN



SHIELDED CAT 5E MODULE



SHIELDED COVER



TERMINATION CAP

NOTE: UNLESS OTHERWISE SPECIFIED

1. SHIELDED CAT 5E MODULE:

A. ELECTRICAL:

- CURRENT RATING: 1.5 AMPS
- INSULATION RESISTANCE: 500 MOHMS MIN
- CONTACT RESISTANCE: 20 MOHMS MAX
- DC RESISTANCE: 0.1 OHM MAX
- TRANSMISSION PERFORMANCE EXCEEDS CATEGORY 5E CONNECTING HARDWARE REQUIREMENTS SPECIFIED IN TIA/EIA-568-B.2 WHEN USED WITH COMPATIBLE HORIZONTAL CABLE

B. MECHANICAL:

- PLUG INSERTION LIFE: 750 CYCLES MIN
- PLUG & JACK CONTACT FORCE: 100 GRAMS MIN USING FCC APPROVED PLUG
- PLUG RETENTION FORCE: 30 LBS MIN
- TEMPERATURE: -40° TO 150° F (-40° TO 68° C)

C. PHYSICALS:

- HOUSING: ABS, UL 94V-0
- JACK WIRING: 50 MICRO INCHES OF GOLD OVER 100 INCHES OF NICKEL
- CONNECTOR: INSULATION DISPLACEMENT CONNECTOR (IDC) ACCEPTS 22-24 AWG SOLID WIRE
- SHIELD: COPPER ALLOY

2. TERMINATION CAP:

- A. MATERIAL: PC, UL 94V-0
- B. COLOR: CLEAR


3. SHIELDED COVER:

- A. MATERIAL: COPPER ALLOY

CATEGORY 5e CONNECTING HARDWARE REQUIREMENTS										
FREQUENCY (MHz)	1.0	4.0	8.0	10.0	16.0	20.0	25.0	31.25	62.5	100
NEXT LOSS (db)	65.0	65.0	64.9	63.0	58.9	57.0	55.0	53.1	47.1	43.0
FEXT LOSS (db)	75.1	63.1	57.0	55.1	51.0	49.1	47.1	45.2	39.2	35.1
RETURN LOSS (db)	35.0	35.0	35.0	35.0	35.0	34.0	32.0	30.1	24.1	20.0
INSERTION LOSS(db)	0.10	0.10	0.10	0.10	0.20	0.20	0.20	0.20	0.30	0.40

 US FILE NO. 125268

MODULE, CAT 5E, SHIELDED			
ITEM NO.	IC1078S500	REV.	A
DWG NO.	PS1078S500	PAGE NO.	2


PremiumProducts
ProvenPerformance
CompetitivePrices

CUSTOMER CARE / TECHNICAL SUPPORT * CSR@ICC.COM / 888-ASK-4-ICC (275-4422) * 14700 Alondra Blvd., La Mirada, CA 90638 * www.icc.com