

## QuickPort® Snap-In Connectors

### Category 3

#### APPLICATION

Modular connector for voice grade structured cabling systems. Snaps into the entire Leviton QuickPort® family of station housings, Multimedia Outlet System (with QuickPort module adapter), patch panels and patch blocks.

#### STANDARDS COMPLIANCE

Meets or exceeds all applicable standards: UL Listed; CSA Certified; complies with NEC® Article 800 and TIA/EIA-568-B; and meets FCC Part 68. Made in the USA.

#### PHYSICAL SPECIFICATIONS

Materials: Connector body is high-impact, fire-retardant plastic rated UL 94V-0. Spring wire contacts are highest quality phosphor bronze, plated with 50 microinches of gold over 100 microinches of nickel for lowest contact resistance, maximum life. Connector 110 IDC contacts are solder plated phosphor bronze.

Dimensions: 783"H x .575"W x 1.178"D

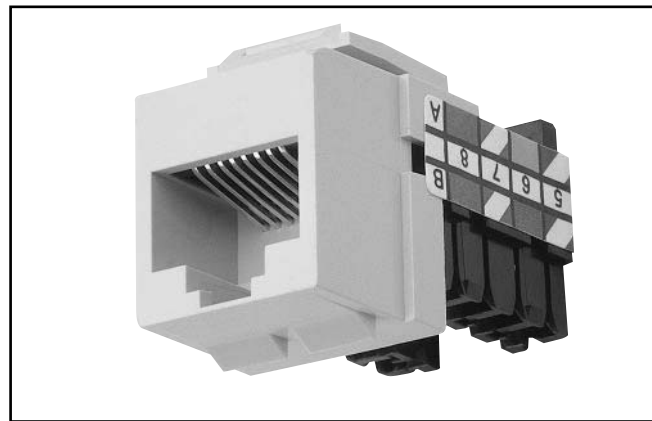
#### DESIGN CONSIDERATIONS

- Designed for cable termination with a 110-type termination tool.
- Detailed installation instructions are included in the standard pack.
- All QuickPort connector performance grades have the same design and termination method, to promote installation consistency.

#### UNIQUE FEATURES

- Dual wiring code label allows connector to be wired to either T568A or T568B.
- Exclusive cutting ledge combines termination and trim into one labor-saving step.
- Individual-port configurability allows specification flexibility.
- Robust one-piece lead-frame design.
- Narrow connector allows high port density in a small area.

See ELECTRONIC FILES for CAD files (.DXF, .DWG, MS-DOS.EPS) on disk



For ELECTRONIC Typical Specs see (.TXT) file on disk.



#### TYPICAL SPECIFICATION

The Category 3 connectors shall be individual snap-in style, and provide compliance with TIA/EIA-568-B specifications. The connectors shall also be in compliance with all National Electrical Codes; compliant with FCC Part 68; UL listed and CSA Certified. All plastics used in construction of the connector bodies shall be fire-retardant with a UL flammability rating of 94V-0. Termination of all connectors shall be 110-type insulation displacement connectors (IDC) with solder-plated phosphor bronze contacts. Connectors shall

be manufactured in the USA utilizing a lead-frame technology. The connector shall provide a ledge directly adjacent to the 110 style termination against which the wires can be directly terminated and cut in one action by the installation craftsman. Connector wiring label shall provide installation color codes for both T568A and T568B wiring schemes. The Category 3 connector shall fit all other installed telecommunications wallplates, outlets and field-configurable patch panels and patch blocks. Colors and configurations to be specified per schedule on plan. The manufacturer shall provide a one-year limited product warranty and 15 year product performance guarantee. The manufacturer shall provide a lifetime warranty against defects in material and workmanship, and an application guarantee when installed as part of a certified system.

#### WARRANTY INFORMATION

- One-year limited product warranty and 15-year performance guarantee are standard.
- Product and performance warranties are extended to a Lifetime as part of Leviton's Certified Cabling System



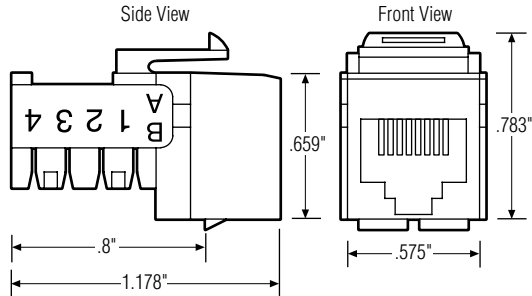
For Applications Engineering Support – Call 1-425-485-4288; in USA call 1-800-722-2082  
Spec sheets and updates are also available at [www.levitonvoicedata.com](http://www.levitonvoicedata.com).

# QuickPort® Snap-In Connectors

**Part Number**  
**41108-xx3**

## DIMENSIONAL LINE ART

See ELECTRONIC FILES for CAD images  
(.DXF, .DWG, MS-DOS.EPS)



## PART NUMBERS

QuickPort® Category 3 Connectors	Part No.
8-position, 8-conductor connector	41108-R*3
* = color: Ivory (I), White (W), Grey (G), Black (E), Orange (O), Blue (L), Yellow (Y), Dark Red (R), Brown (B), Almond (A), Green (V), Purple (P), Crimson Red (C)	
For example, to order a grey Cat 3 Connector specify Part # 41108-RG3	

## CATEGORY 3 COMPLIANCE TEST DATA TABLE

(PN# 41108-xx3, T568A & T568B Wiring)

QuickPort® Category 3 Snap-in Connector Performance Data (Typical)				
	EIA/TIA 568A Cat 3 Minimum Req's	Leviton Product	EIA/TIA 568A Minimum Req's	Unit of Measure
DC Resistance	—	20	300	mW
Resistance Unbalance	—	2	15	mW
Attenuation @ 16 MHz	—	—	400	mdB
Pair 1				<10
Pair 2				<10
Pair 3				<18
Pair 4				<17
NEXT @ 1.0 MHz		58	—	— dB
Pair 1-2				>80
Pair 1-3				63
Pair 1-4				>80
Pair 2-3				72
Pair 2-4				>80
Pair 3-4				72
NEXT @ 16 MHz		34		— dB
Pair 1-2				62
Pair 1-3				39
Pair 1-4				62
Pair 2-3				49
Pair 2-4				62
Pair 3-4				49
Return Loss @ 16 MHz	N/A	N/A	N/A	dB



For Applications Engineering Support – Call 1-425-485-4288; in USA call 1-800-722-2082.  
Spec sheets and updates are also available at [www.levitonvoicedata.com](http://www.levitonvoicedata.com).



2222 – 222nd St. SE • Bothell, WA 98021 USA • Tel: 1-800-722-2082 / 1-425-485-4288 • Fax: 1-425-483-5270 • Int'l Fax: 1-425-485-9170 • GSA# GS-35F-4785G