

VIKING[®]

Telecommunication Peripheral Products
Technical Practice

W-3000
Vandal Resistant
Handsfree Doorbox
January 31, 2001

Answer Your Door or Gate from any Phone in Your Home or Office



Now you can answer your door or gate from the safety of your telephone.

The **W-3000** weather resistant, handsfree doorbox provides an attractive and vandal resistant stainless steel faceplate. It is designed to interface directly with the unused telephone line input of nearly any phone system. One or two doorboxes

can also share an existing residential phone line when used with a **C-1000A** doorbox controller.

When the **Call** button is pressed, the doorbox generates a standard or custom ring cadence of an adjustable number of rings. For noisy environments, the doorbox's "push-to-talk" feature can be used.



Shown with optional VE-5x5



<http://www.VikingElectronics.com>
E-mail...Sales@Viking Electronics.com

Features

- Vandal resistant, 14 gauge stainless steel faceplate with flush mount and surface mount gaskets
- Metal vandal resistant push button
- Call progress / night light LED
- 24 volt talk battery
- 20 Hz ring generator (3.0 REN)
- Selectable ring cadence (standard or two short rings)
- Selectable number of rings (1, 2, 3 or 10)
- Selectable "push-to-talk" feature for noisy environments
- Microphone volume adjustment
- Extended operating temperature range (-15°F to 130°F)
- Compact 45° terminal strip for easy wiring
- Flush mount PVC rough in box provided
- Optional surface mount box available (**VE-5x5**)

Made in the U.S.A.

Applications

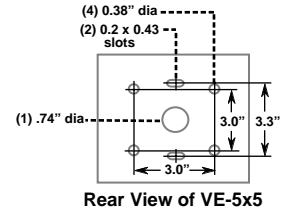
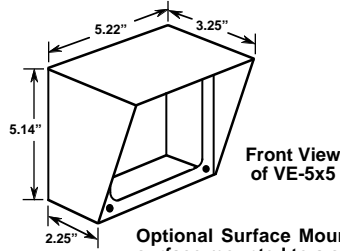
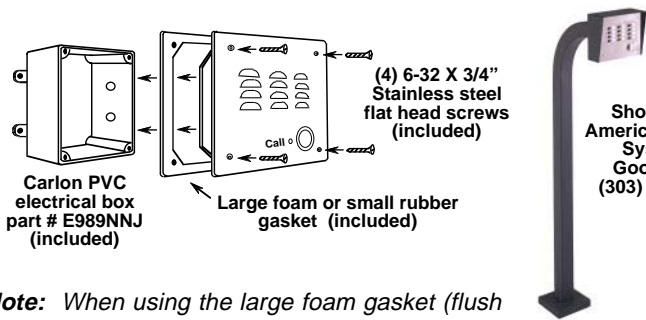
- Commercial, industrial and residential door security
- Door or gate communication
- Truck stop and gas station fuel island communication
- Use with the **C-1000A** (Fax Back Document 155) controller for single line residential systems or when the operation of door strikes or gate openers is necessary

Sales...(715) 386 - 8861

Specifications

Power: 120V AC/13.8V AC 1.25A UL listed adapter provided
Dimensions: Overall-127mm x 127mm x 57.2mm (5.0" x 5.0" x 2.25") Plastic Electrical Box-102mm x 102mm x 54mm (4" x 4" x 2.12")
Shipping Weight: 1.81 Kg (4 lbs)
Environmental: -26°C to 54°C (-15°F to 130°F) with 5% to 95% non-condensing humidity
Connections: (4) position screw terminal strip
Ringer Output: 3.0 REN, 20 Hz
Maximum Loop Length: 1.9 Km (6300 ft) - 24 AWG twisted pair
Maximum Power Run: 45.7 m (150 ft) - 24 AWG twisted pair

Installation



Optional Surface Mount Box (VE-5x5) is designed to be surface mounted to a single gang box or pedestal (left). For more information retrieve Fax Back Document 424.

Note: When using the large foam gasket (flush mounting), peel off paper liner and adhere gasket to the back of the faceplate, centering over four corner mounting holes. The **W-3000** will **NOT** mount to a standard double gang box.

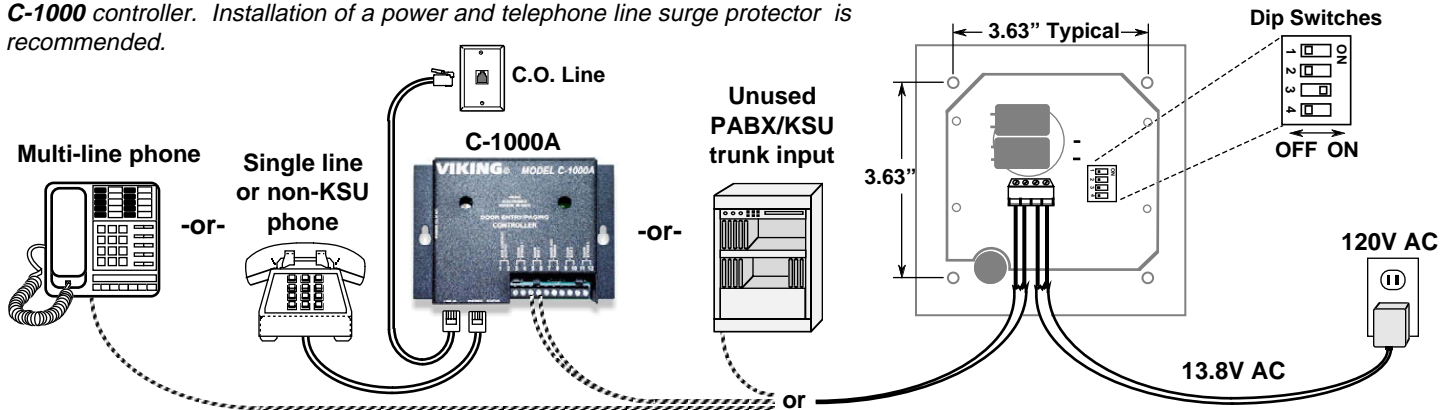
Caution: When warm air comes in contact with cold surfaces, such as outside walls and conduits, it causes condensation. To prevent condensation and moisture from accumulating inside the **W-3000** always bring conduit into the bottom of the unit. If this is not possible, drill a 1/4" diameter hole in the bottom of the gray plastic box.

Important: Do **NOT** install a **W-Series** doorbox on a telephone line without a **C-1000** controller. Installation of a power and telephone line surge protector is recommended.

Dip Switch Programming

Sw 1	Ring Cadence
OFF	Standard: 1 second on, 3 seconds off
ON	Custom (2 short rings): .5 seconds on, .25 seconds off, .5 seconds on, 3 seconds off

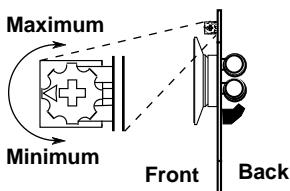
Sw 2	Sw 3	Ring Output	Sw 4	Communication Mode
OFF	OFF	1 Ring	OFF	Normal handsfree mode
ON	OFF	2 Rings	ON	Push-to-talk mode
OFF	ON	3 Rings		
ON	ON	10 Rings		



Programming/Operation



A. Microphone Volume Adjustment POT



In certain noisy locations, the microphone sensitivity may need to be decreased. A POT is provided on the **W-3000's** circuit board to increase or decrease the microphone sensitivity. However, in extremely noisy locations this POT adjustment may not be enough to allow two-way talk path. In this case the "push-to-talk" mode should be used as shown in the switch settings above (see section **C** below).

Note: The POT comes factory set in the middle position.

B. Handsfree Operation (Dip Switch 4 - OFF)

When the **Call** button is pressed, the call progress LED will turn off and the **W-3000** will begin generating a 20 Hz ring signal. The caller will hear an audio ring back signal while the LED flashes. When the inside party has answered, the LED will light until the calling party hangs up. At that point, the LED will turn off for approximately one second and then light steady to illuminate the **W-3000** after dark.

C. Push-to-Talk Operation (Dip Switch 4 - ON)

In extremely noisy locations, the "push-to-talk" mode should be used. To switch to the "push-to-talk" mode, place dip switch 4 in the **ON** position (see **Dip Switch Programming**).

To initiate a call, momentarily press the **Call** button to generate the ring signal. After the inside party has answered, press and hold the call button to talk. Release the call button to listen.

Product Support Line...(715) 386-8666

Fax Back Line...(715) 386-4345

Due to the dynamic nature of the product design, the information contained in this document is subject to change without notice. Viking Electronics, its affiliates and/or subsidiaries assume no responsibility for errors and/or omissions contained in this information. Revisions of this document or new editions of it may be issued to incorporate such changes.