

Telecommunication Peripheral Products
Technical Practice

VR-1A
Universal Visual
Indicator
June 20, 2001

Provide Line Status and Message Waiting Indication



When used with an analog phone line, the **VR-1A** will provide "ring" indication, "on the phone" indication and "message waiting" indication for both "stutter dial tone" and standard message waiting voltage. In this application the **VR-1A** connects directly to tip and ring.

When used with electronic or digital phones, the **VR-1A** won't have you guessing which phone is ringing in busy offices. The flashing LED can be seen up to 100 feet away. The **VR-1A** connects directly to the electronic phone's speaker.

When used with a headset, you can end those nagging interruptions that occur when associates' don't realize you are on the phone because you are using a headset. The **VR-1A** will flash twice indicating to everyone that you are on the phone and you are not to be disturbed. The **VR-1A** installs in the handset/headset jack using an included "T" adapter.



<http://www.VikingElectronics.com>
E-mail...Sales@VikingElectronics.com

Features

- Displays "ringing," "on-the-phone" or "message waiting"
- LED visible up to 100 ft
- Power supply included
- Compact package mounts with double-backed tape
- Connects with modular cord
- Special "T" adapter provided for handset applications

Applications

- Call centers
- Telemarketing
- Product support groups
- Office cubicles
- C.O. based voice messaging
- Purchasing departments
- Sales offices

Specifications

Power: 120V AC/12V DC 500mA UL listed adapter provided
Dimensions: 70mm x 50mm x 40mm (2.9" x 2.1" x 1.5")
Shipping Weight:
Environmental: 0°C to 32°C (32°F to 90°F) with 5% to 95% non-condensing humidity
Connections: (1) RJ14 jack
Light: 19mm (.75") red LED
Visibility: 30m (100') typical
Message Waiting Voltage: 90V - 125V

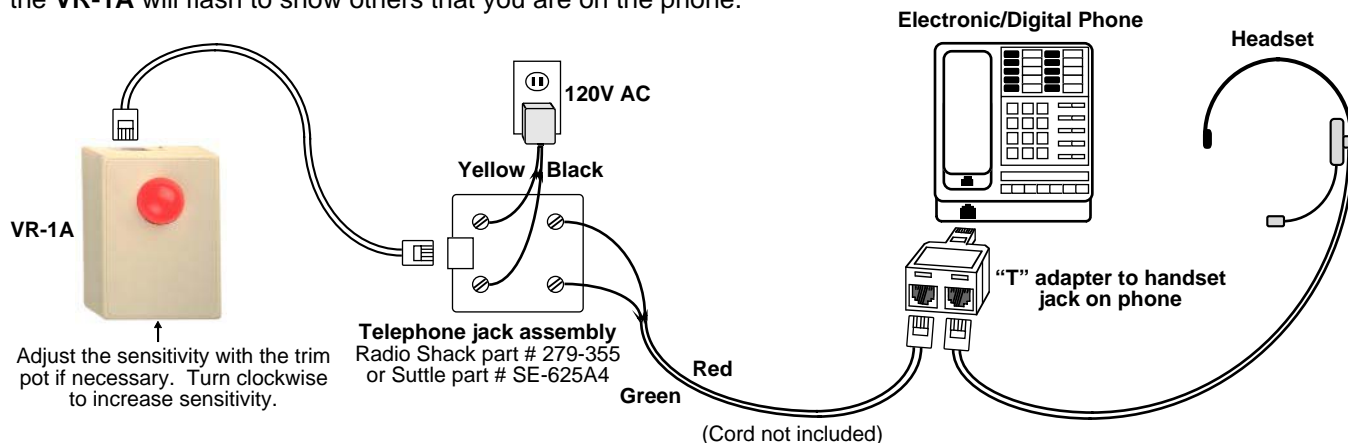
Sales...(715) 386 - 8861

Made in the U.S.A.

Installation/Applications

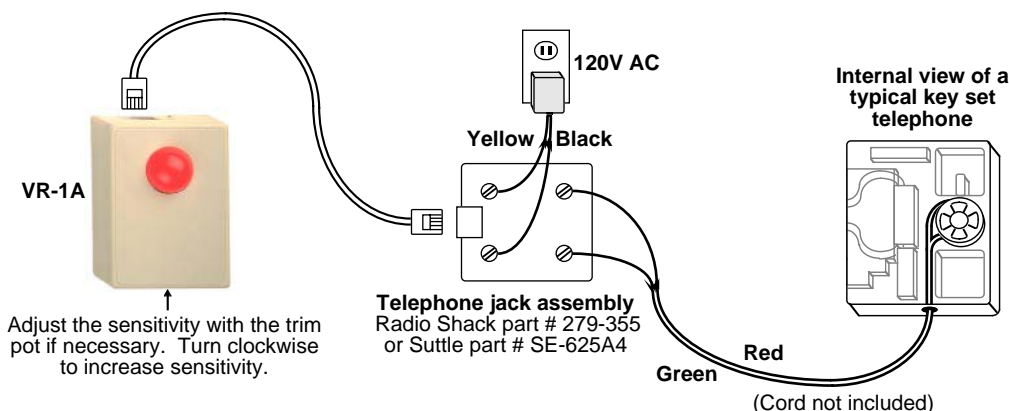
A. Headsets

Connect the receive pair (typically the inside pair) of an Electronic or Digital phone handset jack, using the special "T" adapter provided, to the red and green wires of a modular telephone jack assembly as shown below. Connect the 12V DC power supply to the yellow and black wires. When audio going to the handset or headset is detected, the **VR-1A** will flash to show others that you are on the phone.



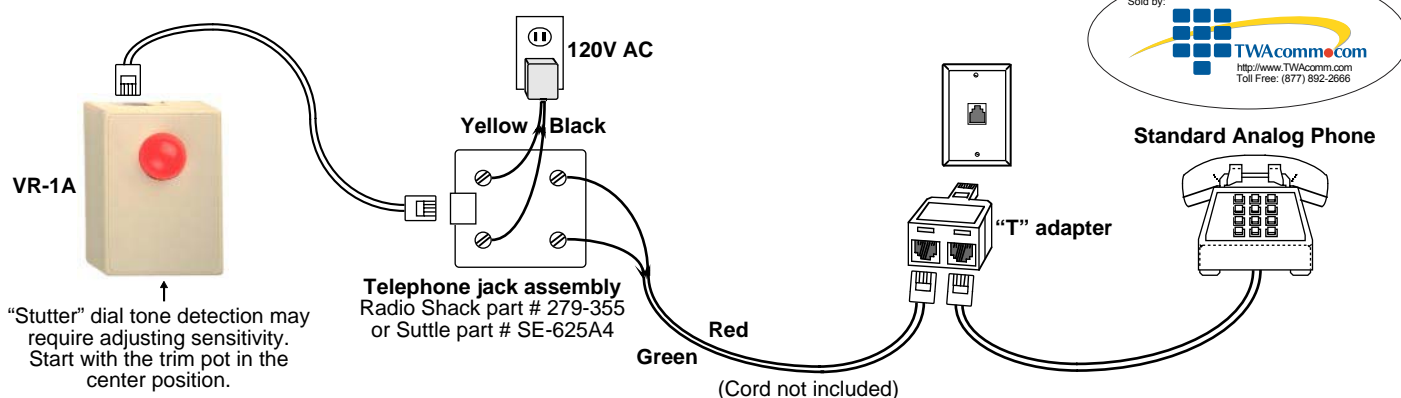
B. Electronic and Digital Phones

Connect the speaker leads of an Electronic or Digital phone to the red and green and connect the 12V DC power supply to yellow and black using a modular telephone jack assembly as shown below. The speaker may be disconnected if a resistor of equal value is substituted. The **VR-1A** will flash to indicate ringing.



C. Analog Phones

Connect tip and ring to the green and red and connect the 12V DC power supply to yellow and black using a modular telephone jack assembly as shown below. The **VR-1A** will flash to indicate ringing, light steady when the phone is off hook, follow the cadence of 90 to 125V message waiting voltage and gives a "stutter" flash if message waiting "stutter" dial tone is detected.



Product Support Line...(715) 386-8666

Fax Back Line...(715) 386-4345

Due to the dynamic nature of the product design, the information contained in this document is subject to change without notice. Viking Electronics, its affiliates and/or subsidiaries assume no responsibility for errors and/or omissions contained in this information. Revisions of this document or new editions of it may be issued to incorporate such changes.