

VP-624B 24 VOLT DC POWER SUPPLY

INTRODUCTION

These instructions provide identification, installation, connection, operation, and maintenance information for the VP-624B, fully regulated, 24 Volt DC, 0.6 Amp Electronic Power Supply.

UL Information

CAUTION

To reduce the risk of fire or electric shock, connect directly to a grounding receptacle -3-prong.

To reduce the risk of electric shock - Disconnect power to the receptacle before installing or removing the unit. When removing receptacle cover screw, cover may fall across plug pins or receptacle may become displaced.

Use only with duplex receptacle having centerscrew.

Secure unit in place by receptacle cover screw.

IDENTIFICATION

Applications

- Valcom page control units
- Valcom one-way amplified speaker assemblies
- Any application where 24VDC filtered talk battery is required

Features

- Regulated 24 Volts DC "A" filtered battery
- Thermal overload protection
- Floating output
- Short circuit protected
- UL Listed

Capacity

- Current: 0.6 Amp at 25 degrees C



Dimensions/Weight

- 5.50"H x 3.30"W x 3.25"D
(13.97cm H x 8.38cm W x 8.26cm D)
- 1.6 lbs. (.73 kg)

Nominal Specifications

- Output: 24VDC +/- 3V "A" filtered battery (Ripple 10mV maximum)

Power Requirements

- Input: 105 to 120VAC, 60 Hz, 36 Watts

Environment

- Temperature: 0 to 50 Degrees C
- Humidity: 0 to 85% non-precipitating

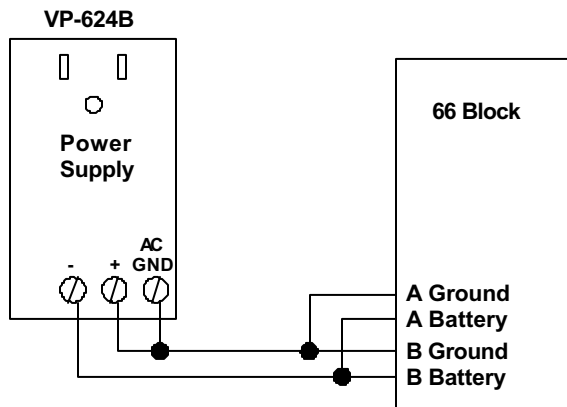
INSTALLATION

The VP-624B is a receptacle mount power supply designed to be used with a third wire grounded receptacle, or a cold water pipe or earth ground may be connected to the positive (+) screw terminal using 14 AWG ground wire. If a two wire adapter is used, make sure the ground tab is bonded to the local electrical ground.



When installing Valcom one-way amplified horns, connect the white and black wires of the horn to the power supply (-) and (+) terminals respectively.

Connections to Valcom Page Control



When installing Valcom one-way amplified speakers, connect the -24V and ground terminals of the speaker to the power supply (-) and (+) terminals respectively.

CIRCUIT DESCRIPTION

The VP-624B is a fully regulated 24VDC, 0.6 Amp power supply. The output is floating with respect to ground. A greater than 0.6 Amp load will cause the power supply to current limit. Short circuit protection is provided.

TECHNICAL ASSISTANCE

When trouble is reported, verify that AC power is being supplied to the unit.

To test the power supply, remove all output connections and measure the output voltage with a meter. The voltage should be 24VDC +/- 3 V. If no voltage is measured, replace the unit.

Assistance in troubleshooting is available from the factory. When calling, you should have a VOM and a test set available and be calling from the job site. Call (540) 563-2000 and ask for Technical Support, or (540) 767-1555 for Valcom 24-hour Faxback System or visit our website at <http://www.valcom.com>.

Valcom equipment is not field repairable. Valcom, Inc. maintains service facilities in Roanoke, VA. Should repairs be necessary, attach a tag to the unit clearly stating your company name, address, phone number, contact person and the nature of the problem. Send the unit to:

Valcom, Inc.
Repair and Return Dept.
5614 Hollins Road
Roanoke, VA 24019-5056

VALCOM LIMITED WARRANTY

Valcom, Inc. warrants its products to be free from defects in materials and workmanship under conditions of normal use and service for a period of one year from the date of shipment. The obligation under this warranty shall be limited to the replacement, repair or refund of any such defective device within the warranty period, provided that:

1. inspection by Valcom, Inc. indicates the validity of the claim;
2. the defect is not the result of damage, misuse, or negligence after the original shipment;
3. the product has not been altered in any way or repaired by others and that factory sealed units are unopened (A service charge plus parts and labor will be applied to units defaced or physically damaged);
4. freight charges for the return of products to Valcom are prepaid;
5. all units 'out of warranty' are subject to a service charge. The service charge will cover minor repairs (Major repairs will be subject to additional charges for parts and labor).

This warranty is in lieu of and excludes all other warranties, expressed or implied, and in no event shall Valcom, Inc. be liable for any anticipated profits, consequential damages, loss of time or other losses incurred by the buyer in connection with the purchase, operation or use of the product.

This warranty specifically excludes damage incurred in shipment. In the event a product is received in damaged condition, the carrier should be notified immediately. Claims for such damage should be filed with the carrier involved in accordance with the F.O.B. point.

Headquarters:
 Valcom, Inc.
 5614 Hollins Road
 Roanoke, VA 24019-5056
 Phone: (540) 563-2000
 FAX: (540) 362-9800

In Canada
 CMX Corporation
 35 Van Kirk Drive #11 and 12
 Brampton, Ontario L7A1A5
 Phone: (905) 456-1072
 FAX: (905) 456-2269

