

Telecommunication Peripheral Products
Technical Practice

Name Directories

July 31, 1998

Add an Attractive Directory to Your Apartment or Office Complex



Viking's vandal-resistant directories are an easily installed, high-quality line of display. Designed specifically to complement newly installed or existing secure-building entry systems. All models feature both weather and vandal resistant construction.

The **D-series** directories are durably constructed from 18 gauge brushed stainless steel to perfectly match the style and function of Viking's stainless steel phones.

The **BD-series** directories are identical to the **D-series** in size, but feature solid brass construction with a mirror-polished and lacquered finish.



<http://www.VikingElectronics.com>

E-mail...Sales@Viking Electronics.com

Features

- Economical
- Attractive
- Choice of durable finishes:
 1. Brushed stainless steel
 2. Polished brass (special order 2 - 4 weeks)
- Easily installed over drywall or masonry surfaces with supplied hardware
- Low profile (3/8")
- Vandal and weather resistant
- Modular system (add additional capacity at any time)
- Lexan plastic window

Applications

- Use with Viking's **K-1900-3** multi-tenant entry system (**Fax Back Document 312**)
- Apartment buildings
- Business directories
- Care facilities
- Schools and institutions
- Public areas

Specifications

Dimensions: See chart below

Name Card Dimensions: 95mm (3.75") wide (not included)

Shipping Weight: 1.36 kg (3 lbs)

Hardware: (2) #10 x 1.5" wood screws with tamper resistant Torx T-25 heads, (1) T-25 Torx bit

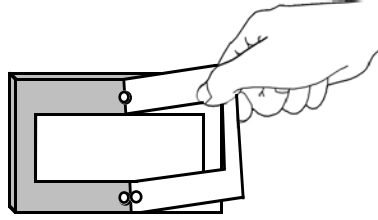
Model	Dimensions	# of Names
D6/BD6	76mm x 108mm (3" x 4.25")	6
D10/BD10	121mm x 108mm (4.75" x 4.25")	10
D22/BD22	197mm x 108mm (7.75" x 4.25")	22
D32/BD32	273mm x 108mm (10.75" x 4.25")	32
D44/BD44	350mm x 108mm (13.75" x 4.25")	44
D56/BD56	425mm x 108mm (16.75" x 4.25")	56

Sales...(715) 386 - 8861

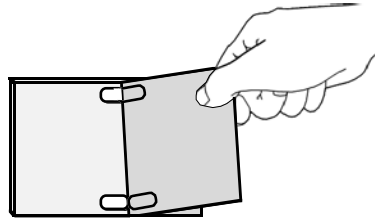
Made in the U.S.A.

Installation

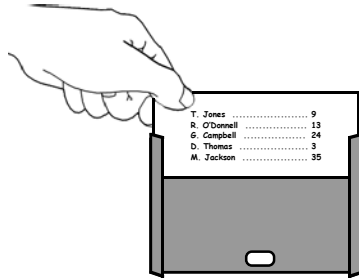
1. Peel the protective covering off of the name directory as shown below.



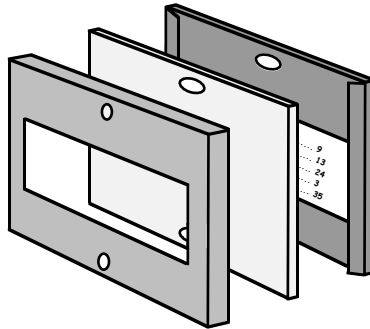
2. Peel the protective covering off of **BOTH** sides of the lexan plastic window as shown below.



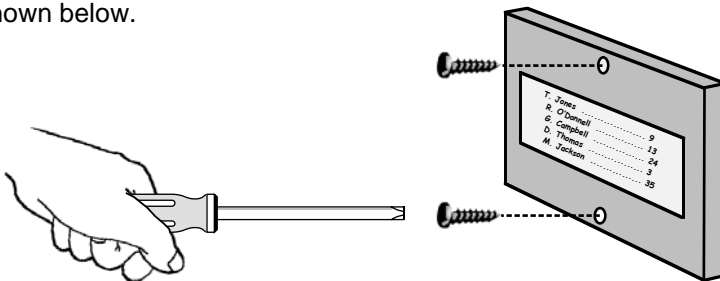
3. Slide the name card (not included) into the slots on each side of the black plastic back as shown below.



4. Place the clear plastic window into the back of the name directory. Then place the black plastic back with the names showing through plastic window, into the back of the name directory as shown below.



6. Making sure to align all holes, use (2) # 10 Torx head screws (included) to mount the name directory to the surface as shown below.



Product Support Line...(715) 386-8666

Fax Back Line...(715) 386-4345

Due to the dynamic nature of the product design, the information contained in this document is subject to change without notice. Viking Electronics, its affiliates and/or subsidiaries assume no responsibility for errors and/or omissions contained in this information. Revisions of this document or new editions of it may be issued to incorporate such changes.