

# HuddleCamHD Pro IP Camera

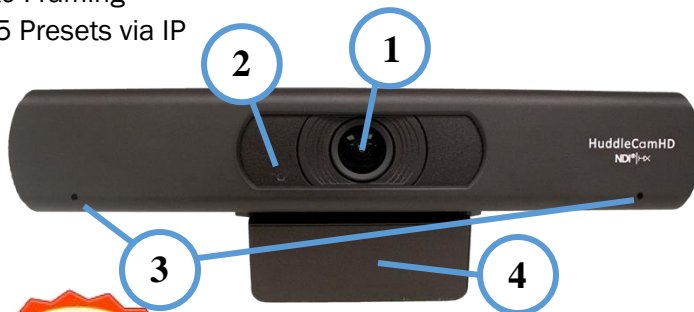
## NDI®|HX 4K EPTZ Camera

**Model Number:**  
**HC-EPTZ-NDI**  
<http://huddlecamed.com/ndi-webcam/>

The HuddleCamHD Pro IP is a NDI®|HX 4K camera that allows for electronic pan tilt zoom. It features a beamforming dual microphone array providing intelligible audio up to 10' away.

### KEY FEATURES

- 108° Field of View lens
- 1/4-20 mounting screw
- NDI®|HX Network connectivity
- 4K@30 capable
- Built in beamforming dual microphone array
- Power over Ethernet
- IR Remote control
- Auto Framing
- 255 Presets via IP



**1. Lens**  
108° Field of View

**2. Camera LED**  
Illuminated when camera is in use

**3. Microphone Array**  
Beamforming microphone array



**4. Mounting Base**  
Mount to display or any 1/4-20 screw

**5. RJ-45 Port**  
NDI®|HX Video Output  
802.3af PoE

**6. USB 2.0 Port**  
For future use

**7. 12V DC Power**  
DC 12V 1A Power Supply

**WHAT'S IN THE BOX**

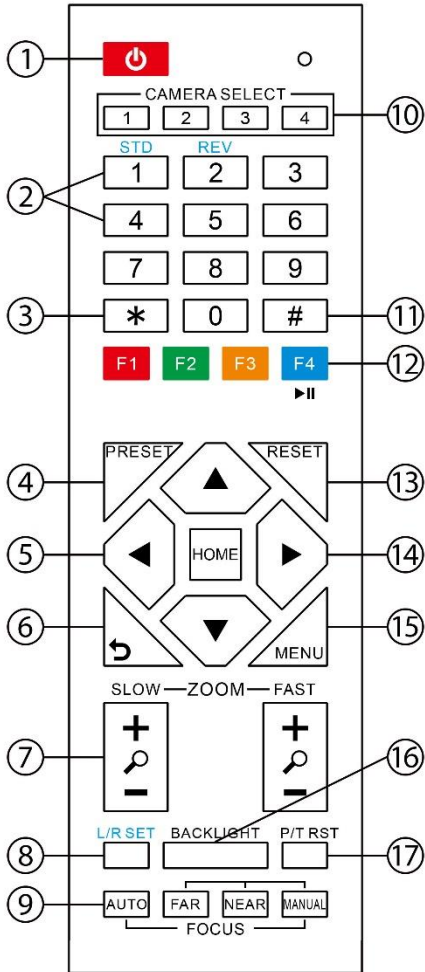
- 4K EPTZ Camera
- Power Supply
- IR Remote Control
- Quick Start Guide

Camera & Lens Specifications	
Field of View	108°
Video CMOS Sensor	1/2.5" CMOS 8.51M Mega Pixel
Focal Length	2.8mm
EPTZ Control Methods	IR Remote, VISCA over IP, HTTP-CGI
Compression	MJPEG, YUY2, H.264, H.265
Resolution	3840x2160, 1920x1080, 1280x720, 1024x576, 960x540, 640x480, 640x360
Frame Rate	50Hz: 1 ~ 25, 60Hz: 1 ~ 30
Min Lux	0.05 Lux @ F1.8, AGC ON
Zoom	8x Digital Zoom

Physical Specifications	
Connection Interface	RJ-45, USB 2.0 (Future use)
Material	Aluminum, Plastic
Dimensions (in.)	7.63"W x 2.36"H x 3.66"D
Dimensions (mm.)	194mmW x 60mmH x 93mmD
Weight	0.7 lbs   0.34kg
Box Dimensions (in.)	9.375"W x 4.3125"H x 4.625"D
Box Dimensions (mm.)	238mmW x 109.5mmH x 117.5mmD
Boxed Weight	2.4 lbs   1.1kg
Input Voltage	DC 12V / PoE (IEEE 802.3af)
Operating	14°F ~ 104°F (-10°C ~ 40°C)
Storage Temperature	-40°F ~ 140°F (-40°C ~ 60°C)

# IR Remote Camera Control

Please note the included IR Remote will not control other HuddleCamHD cameras.



### 1. Standby Button

Press this button to enter standby mode. Press it again to wake the camera.

NOTE: Power consumption in standby mode is approximately half of the normal mode.

### 2. Numeric Keypad (0-9) Buttons

To set preset or call presets and for Special Shortcut Functions.

### 3. \* (asterisk) Button

For use with multiple function buttons (see 12)

### 4&13. Set/Clear Preset Buttons

Set preset: Store a preset position [PRESET] + Numeric button (0-9): Setting a corresponding numeric key preset position.

### Clear preset: Erase a preset position

[RESET] + Numeric button (0-9)

Note: [\*] + [#] + [RESET]: Erase all presets.

### 5&14. Pan/Tilt & Home Control Buttons

Press the arrow buttons to perform panning and tilting. Press the [HOME] button to face the camera back to its Home position.

### 6. Return Button

Press button to return to previous menu.

### 7. Zoom Buttons (Slow & Fast)

Zoom+: Zoom In (Slow and fast speeds)

Zoom-: Zoom Out (Slow and fast speeds)

### 8. L/R Set Button

Set the left & right direction of panning control. Hold [L/R Set] + Press [1]: Normal panning direction. Hold [L/R Set] + Press [2]: Left and right panning direction will be reversed.

### 9. Focus Buttons

Used for focus adjustment. Press [AUTO] to adjust the focus on the center of the object automatically. To adjust the focus manually, press the [MANUAL] button, and then adjust focus with [Far] (focus on far object) and [Near] (focus on near object).

### 10. Camera IR Address Select Buttons

Press the button corresponding to the camera which you want to operate with the IR remote controller.

### 11. # Button

For use with multiple function buttons (see 12)

### 12. Multiple Function Buttons

Function 1. Set camera IR address function: Press 3 keys consecutively to set the camera's IR address as follow:

[\*] + [#] + [F1]: IR Address 1

[\*] + [#] + [F2]: IR Address 2

[\*] + [#] + [F3]: IR Address 3

[\*] + [#] + [F4]: IR Address 4

Function 2. Image freezing function: Press

[F4] to start the freeze function. The word "Freeze" displays on the upper left corner.

After five seconds, the display disappears automatically (though the freeze feature continues).

To cancel the freeze, press the [F4] key the word "Unfreeze" displays on the upper left corner.

After five seconds, the display disappears automatically.

### 15. Menu Button

OSD Menu Settings: Press this button to enter or exit the OSD (on screen display) menu.

### 16. Backlight Button

Backlight (aka BLC) button: Press this button to enable backlight compensation. Press it again to disable backlight compensation.

NOTE: Effective only in auto exposure mode.

NOTE: If there is a light behind the subject, the subject will appear dark (i.e. silhouetted).

In this case, press the backlight button to turn 'BLC On'.

To cancel this function, press the backlight button to turn 'BLC Off'.

### 17. P/T RST Button

Press the button to self-calibrate the pan and tilt positions and limits.

### Special Shortcut Functions

[\*] + [#] + [1]: Display OSD menu in English

[\*] + [#] + [3]: Display OSD menu in Chinese

[\*] + [#] + [4]: Show IP address

[\*] + [#] + [6]: Quickly restore default settings

[\*] + [#] + [8]: Show the camera FW version

[\*] + [#] + [9]: Quickly set mounting mode (vertical flip / normal)

[\*] + [#] + [MANUAL]: Resets IP information

[#] + [\*] + [4]: Enables DHCP IP configuration

[#] + [\*] + [#] + [1]: Set IP to 192.168.100.81

[#] + [\*] + [#] + [2]: Set IP to 192.168.100.82

[#] + [\*] + [#] + [3]: Set IP to 192.168.100.83

[#] + [\*] + [#] + [4]: Set IP to 192.168.100.84

[#] + [\*] + [#] + [5]: Set IP to 192.168.100.85

[#] + [\*] + [#] + [6]: Set IP to 192.168.100.86

[#] + [\*] + [#] + [7]: Set IP to 192.168.100.87

[#] + [\*] + [#] + [8]: Set IP to 192.168.100.88

[#] + [\*] + [#] + [9]: Set IP to 192.168.100.89

[#] + [\*] + [#] + [0]: Set IP to 192.168.100.80