

# powerswitch®

## Fused & Non-Fused Disconnect Switches

### 30 A, 60 A, 100 A

#### Features:

- 200 kA SCCR when protected by Type J Fuse
- IP69K, IP66/IP67/IP68/ IP69 and UL50E Type 3R, 4, 4X, 6P, 12, 13
- Operating temperature range from -40°C to 75°C



NSF Certified for use in food & beverage processing areas

Overmold handle with longer length for improved grip and durability

Captive, triple head cover screws constructed of stainless steel



Handle accommodates 3 padlocks for OSHA compliant lockout/tagout



Compact enclosure size for installation versatility



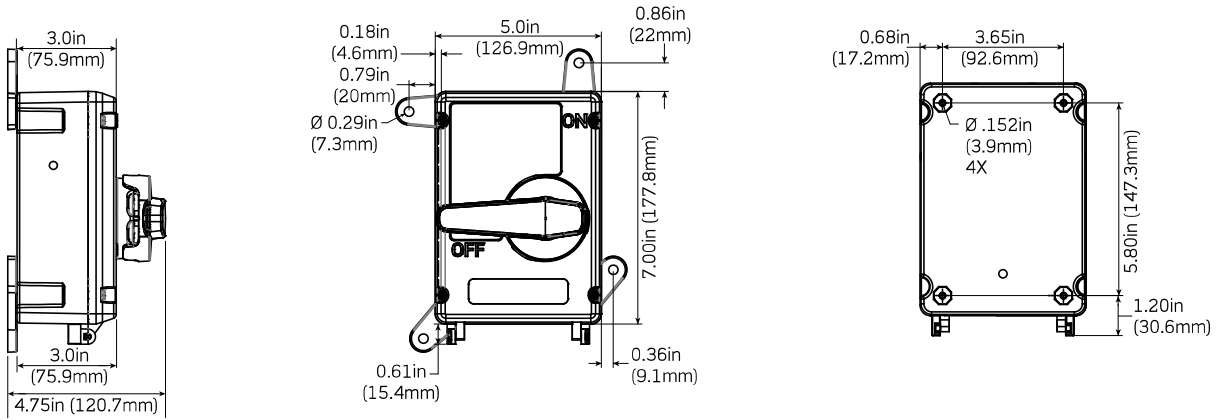
# Specifications

Description		NON-FUSED DISCONNECTS			FUSED DISCONNECTS		
Catalog Number	LDS30-AX & LDS30-AX	LDS60-AX & LED60-AC	LDS10-AX & LDS10-AC	LDS30-FAX	LDS60-FAX	LDS10-FAX	
<b>Electrical Specifications</b>							
Amperage	30/32 A	60 A	100 A	30 A	60 A	100 A	
Max Voltage	600 VAC	600 VAC	600 VAC	600 VAC	600 VAC	600 VAC	
Horsepower	SINGLE PHASE	110 V AC; 2 HP	110 V AC; 2 HP	110 VAC; 7.5 HP	110 VAC; 2 HP	110 V AC; 2 HP	110 V AC; 5 HP
		208 to 240 VAC; 5 HP	208 to 240 VAC; 10 HP	208 to 240 VAC; 20 HP	208 to 240 VAC; 3 HP	208 to 240 VAC; 7.5 HP	208 to 240 VAC; 15 HP
		480 VAC; 5 HP	480 VAC; 10 HP	480 VAC; 30 HP	480 VAC; 3 HP	480 VAC; 7.5 HP	480 VAC; 15 HP
	THREE PHASE	600 VAC; 5 HP	600 VAC; 10 HP	600 VAC; 30 HP	600 VAC; 3 HP	600 VAC; 7.5 HP	600 VAC; 15 HP
		208 to 240 VAC; 10 HP	208 to 240 VAC; 20 HP	208 to 240 VAC; 40 HP	208 to 240 VAC; 7.5 HP	208 to 240 VAC; 15 HP	208 to 240 VAC; 30 HP
		480 VAC; 20 HP	480 VAC; 40 HP	480 VAC; 60 HP	480 VAC; 15 HP	480 VAC; 30 HP	480 VAC; 60 HP
	600 VAC; 25 HP	600 VAC; 40 HP	600 VAC; 50 HP	600 VAC; 20 HP	600 VAC; 50 HP	600 VAC; 75 HP	
Current Interrupting	Certified for full-rated current and voltage						
Dielectric Voltage	1,000 V plus twice rated voltage for 1 minute						
Minimum Electrical Endurance	6,000 operating cycles at rated current and voltage						
Mechanical Endurance	20,000 Operations (10,000 Operation Cycles)						
Short Circuit Current Rating (SCCR)	10 kA; Fuse Type J; Fuse Size 60A	100 kA; Fuse Type J; Fuse Size 100A	65 kA; Fuse Type J; Fuse Size 100A	200 kA; Fuse Type J; Fuse Size 30A	200 kA; Fuse Type J; Fuse Size 60A	200 kA; Fuse Type J; Fuse Size 100A	
<b>Environmental Specifications</b>							
Flammability	UL94V-0	UL94V-0	UL94V-0	UL94V-0	UL94V-0	UL94V-0	
Operating Temperature*	-40°C to 75°C						
UV Resistance	Exposed materials are UV stabilized						
Water/Moisture Resistance	NEMA/UL 50E Type 3R, 4, 4X, 6, 6P, 12, 13 IEC IP66, IP67, IP68, IP69 IP69K	NEMA/UL 50E Type 3R, 4, 4X, 6, 6P, 12, 13 IEC IP66, IP67, IP68, IP69 IP69K	NEMA/UL 50E Type 3R, 4, 4X, 6, 6P, 12, 13 IEC IP66, IP67, IP68, IP69 IP69K	NEMA/UL 50E Type 3R, 4, 4X, 6, 6P, 12, 13 IEC IP66, IP67, IP68, IP69 IP69K	NEMA/UL 50E Type 3R, 4, 4X, 6, 6P, 12, 13 IEC IP66, IP67, IP68, IP69 IP69K	NEMA/UL 50E Type 1, 3R, 4, 4X, 12 IEC IP66, IP67, IP68	
Impact Resistance	Meet UL746C						
<b>Material Specifications</b>							
Enclosure	PBT+PC	PBT+PC	PBT+PC	PBT+PC	PBT+PC	Polycarbonate (PC)	
Handle	PBT+PC with TPE Overmold						
Enclosure Screws	Stainless Steel						
Enclosure Gasket	Silicone Rubber	Silicone Rubber	Silicone Rubber	Silicone Rubber	Silicone Rubber	Polyurethane Foam	
Mounting Feet	PBT+PC	PBT+PC	PBT+PC	PBT+PC	PBT+PC	Polycarbonate (PC)	
<b>Mechanical Specifications</b>							
Terminal Identification	In accordance with UL and international conventions						
Product Identification	Ratings are permanently marked on device						
Terminal Accom. Switch	AWG #18-8	AWG #14-4	AWG #8-1/0	AWG#18-8	AWG #14-4	AWG #14-2/0	
Terminal Accom. Terminal Blocks Neutral	AWG #24-8	AWG #16-1/0	AWG #16-1/0	AWG #24-8	AWG #16-1/0	AWG #6-2/0	
Terminal Accom. Terminal Blocks Earth Ground	AWG #26-8	AWG #16-2	AWG #16-2	AWG #26-8	AWG #16-2	AWG #16-2	
<b>Standards &amp; Certifications</b>							
NSF	14159-1, Hygenic Requirement for the Design of Meat & Poultry Processing Equipment						
NEMA	NEMA 250						
UL Standard	cULus UL60947-4-1A (Suitable as Motor Disconnect)	cULus UL60947-4-1A (Suitable as Motor Disconnect)	cULus UL60947-4-1A (Suitable as Motor Disconnect)	UL98 (Suitable for Motor Circuits)	UL98 (Suitable for Motor Circuits)	UL98 (Suitable for Motor Circuits)	
CSA Standard	—	—	—	CSA C22.2 No. 4-04	CSA C22.2 No. 4-04	CSA C22.2 No. 4-04	
NOM	NOM-ANCE Certified						
IEC	IEC 60529						
ISO	ISO 20653						
CE	CE Marked						
<b>Warranty</b>							
Product Warranty	3 Year Limited Warranty						

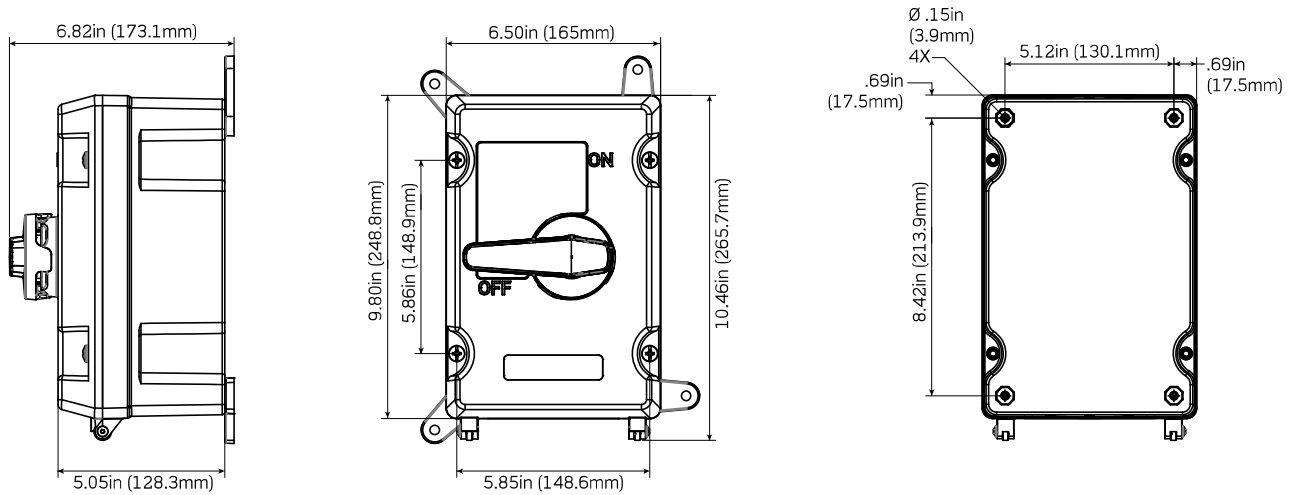
\* Derating may apply

## Dimensions

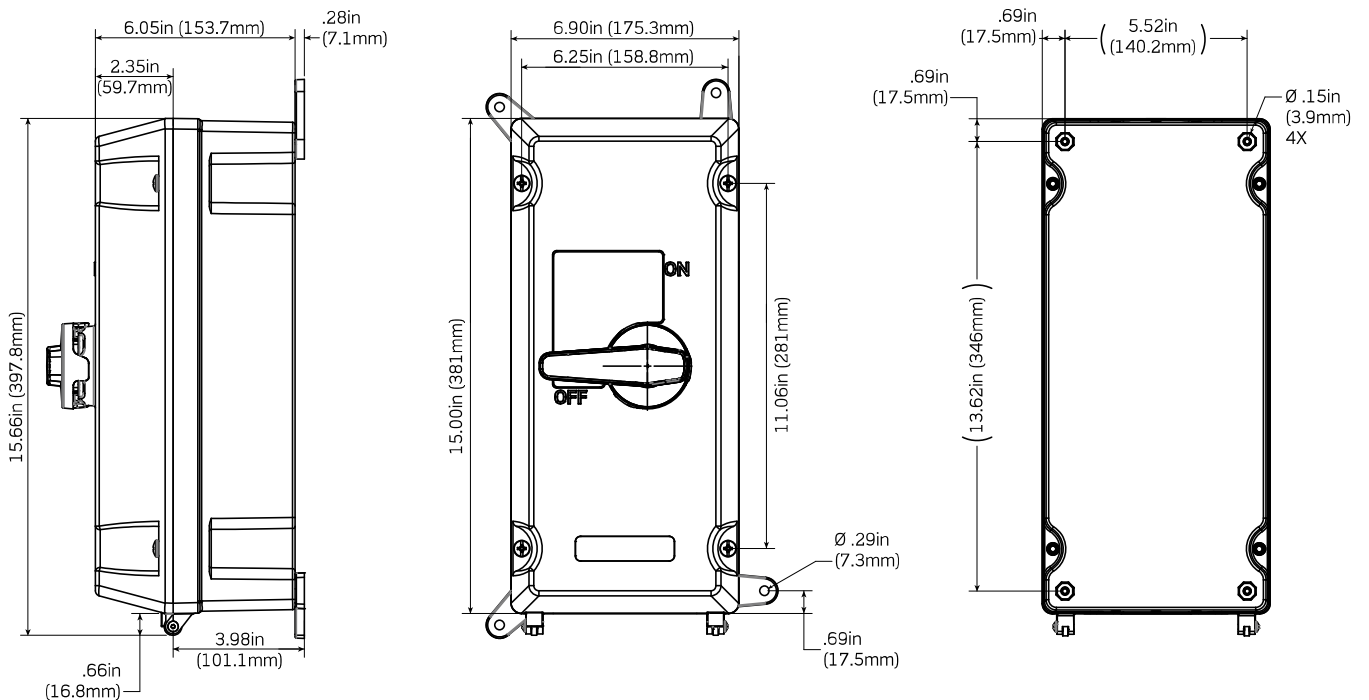
### LDS30-AX & LDS30-AC



### LDS30-FAX, LDS60-AX, LDS60-AC, LDS10-AX & LDS10-AC

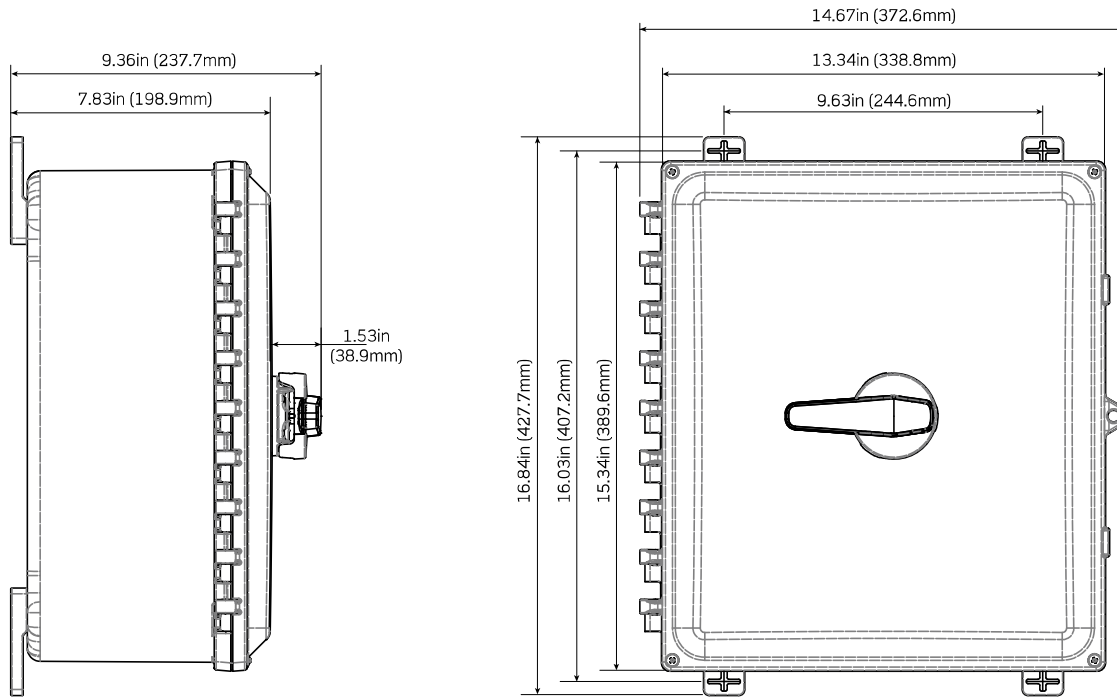


### LDS60-FAX



## Dimensions (Continued)

### LDS10-FAX



## Ordering Information

Disconnect Switches	Cat No
30/32 A, Non-Fused	LDS30-AX
30/32 A, Non-Fused with Auxiliary Contact	LDS30-AC
30 A, Fused	LDS30-FAX
60 A, Non-Fused	LDS60-AX
60 A, Non-Fused with Auxiliary Contact	LDS60-AC

Disconnect Switches	Cat No
60 A, Fused	LDS60-FAX
100 A, Non-Fused	LDS10-AX
100 A, Non-Fused with Auxiliary Contact	LDS10-AC
100 A, Fused	LDS10-FAX

## Accessories

Accessories	Cat No
Non-Fused Auxiliary Contact, Normally Open, 30/60/80 A	AUXNO
Non-Fused Auxiliary Contact, Normally Closed, 30/60/80 A	AUXNC-NF
Non-Fused Auxiliary Contact, Early Break, 100 A	AUXNO-NF1
Fused Auxiliary Contact, Normally Open, 30 A	AUXNO-F1
Fused Auxiliary Contact, Normally Closed, 30 A	AUXNC-F1
Fused Auxiliary Contact, Normally Open, 60/100 A	AUXNO-F2
Fused Auxiliary Contact, Normally Closed, 60/100 A	AUXNC-F2
30 A Replacement Non-Fused Switch	30ASW
60/80 A Replacement Non-Fused Switch	6080A-NF
100 A Replacement Non-Fused Switch	100SW-NF

Accessories	Cat No
30 A Replacement Fused Switch	30ASW-F
60 A Replacement Fused Switch	60ASW-F
100 A Replacement Fused Switch	100SW-F
Watertight Conduit Hub, Die-Cast Zinc, ¾"	HUB-34
Watertight Conduit Hub, Die-Cast Zinc, 1"	HUB-100
Watertight Conduit Hub, Die-Cast Zinc, 1 ¼"	HUB-114
Watertight Conduit Hub, Die-Cast Zinc, 1 ½"	HUB-112
Watertight Conduit Hub, Die-Cast Zinc, 2"	HUB-200
Watertight Conduit Hub, Stainless Steel, ¾"	SSHUB
Mounting Feet	MOUNT-LDS
Replacement Overmold Handle	HNDLE

NOTE: Separate mounting bracket needed for attaching fused auxiliary contacts to switch. Contact Customer Service for availability.

Visit our Website at:  
[www.leviton.com/disconnects](http://www.leviton.com/disconnects)  
 email: [industrial@leviton.com](mailto:industrial@leviton.com)

Q-1049A

### Leviton Manufacturing Co., Inc.

201 N Service Rd, Melville, NY 11747  
 Telephone: 1-800-323-8920 • FAX: 1-800-832-9538  
 Tech Line (8:30AM-7:30PM E.S.T. Monday-Friday): 1-800-824-3005

© 2019 Leviton Manufacturing Co., Inc. All rights reserved.

072319

