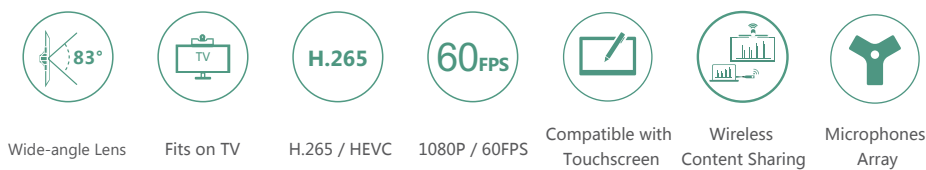


Ultimate Simplicity, Perfect for Small and Medium Rooms

Yealink VC500 is ideally designed to ensure everyone to have an immersive communication in the workspace. Equipped with the 5x optical zoom PTZ camera, it supports 1080P/60FPS video calls to make your business discussion be as life-like and interactive as possible. It possesses an all-in-one design and the first-class video and audio technology that create an easier and more effective collaboration experience. As the newest generation of Yealink VC series video conferencing endpoints, the VC500 adopts an intuitive user interface that makes meeting control simpler. Featuring H.265/HEVC and Opus, this new release facilitates more immersive audio-visual collaboration. By leveraging Yealink Meeting Server (YMS), the VC500 seamlessly supports Meeting Scheduling and One-touch Meeting Access. All combine to make VC500 one of the perfect solution for the small-to-medium meeting rooms.



Key Features and Benefits

Immersive Audio-Visual Experience

Using a new 5X optical PTZ camera, VC500 supports 1080P/60FPS video calls without distortion, thus greatly enhancing the fluency of video conferencing and making the presentation more vivid even in details. Its wide-angle lens, which provides an expanded 83° horizontal field of view, brings everyone in view without adjusting the camera. In one package, it co-works with Yealink video conferencing microphone array VCM34 to provide 20ft/360° voice pickup distance and create a better audio solution which is backed by Opus codec and Yealink Noise Proof technology; and in another package, it is equipped with two wireless microphones, providing you a distance-free communication without any cables restriction.

Easier Meeting Experience, Simpler Deployment

Yealink VC500 owns all-in-one design which combines codec and camera together, only one standard RJ45 network cable could connect TV area and conference table, saving more time and space for better communication. Meanwhile, it fits easily and seamlessly on the TV with thickness from 1mm to 77mm, making your meeting room clutter-free.

Less Bandwidth, Better Network Adaptability

Via supporting H.265/HEVC video codecs, just with the minimum 512kbps, 1080P HD video calls can be realized, thus saving more than 50% bandwidth than using H.264. Thanks to Yealink anti-packet loss technology, VC500 can resist up to 30% video packet loss which guarantees smooth video communication.

Wider Compatibility, Deeper Integration

Yealink VC500 supports standard H.323/SIP dual protocol as well as RS-232/HTTP API and VISCA/PELCO. It is not only deeply integrated with Yealink Meeting Server(YMS), supporting Meeting Scheduling and One-touch Meeting Access; but also worked with Yealink Cloud Management Service (VCMS), bringing quick deployment. Besides, it supports the 3rd-party room system and integrates with the leading cloud platforms, like StarLeaf, Zoom, BlueJeans, EasyMeet, Videxio, etc.

- 1080P/60FPS and 5x optical PTZ camera
- 83° horizontal field of view
- H.265/HEVC video codec, 1080P from 512Kbps bandwidth
- Super packet loss recovery technology (video resistant up to 30% and audio resistant up to 70%)
- Two HDMI output and two HD content input (HDMI + Mini-DP)
- Supports wireless content sharing
- Two audio options: a pair of wireless microphones or one microphone array
- Supports collaboration features (interoperable with whiteboard and annotation on content sharing)
- Deeply integrate with leading cloud platforms: Yealink Cloud Management Service (VCMS), Yealink Meeting Server, StarLeaf, Pexip, Zoom, BlueJeans, EasyMeet, Videxio

Package includes:

- VC500 Codec (integrate camera)
- CTP20 Collaboration Touch Panel (VC500-VCM-CTP)
- 1 x VCM34 Video Conferencing Microphone Array (VC500-VCM-CTP)
- 2 x Wireless Microphones with DD10 DECT Dongle (VC500-Mic)
- VCH50 Video Conferencing Hub (optional)
- VCR11 Remote Control
- WPP20 Wireless Presentation Pod (optional)
- Cable Bundle

Full-HD PTZ Camera

- 1920 x 1080 video resolution
- 60 frame rate
- 5x optical zoom PTZ camera
- Horizontal field of view: 83°
- Vertical field of view: 52°
- Pan angel range: +/- 30°
- Tilt angel range: +/- 20°
- Beauty shot

Video Standard and Network Suitability

- Video codecs: H.265/HEVC, H.264 High Profile, H.264, H.263, H.263+
- Forward Error Correction (FEC)
- Anti 30% video packet loss
- Bandwidth dynamic adaptive adjustment
- Shared content and audio preference strategy
- Bandwidth/protocol/ auto adaptive

Audio Features

- Audio codecs:
 - Opus, 8~48kHz sampling rate
 - 14kHz bandwidth with G.722.1C
 - 7kHz bandwidth with G.722.1
 - 3.4kHz bandwidth with G.711 (PCMA/PCMU)
 - G.729
 - ARES
- Audio technology:
 - Acoustic echo cancellation
 - Automatic gain control
 - Yealink Noise Proof Technology
 - CNG, PLC, AJB, De-Rerb

Collaboration Touch Panel CTP20 (VC500-VCM-CTP)

- 13.3 inch IPS FHD 1080P capacitive touch screen
- Supports active pressure capacitance touch pen

Video Conferencing Microphone Array VCM34 (VC500-VCM-CTP)

- Built-in 3-microphone array
- 20ft/360° voice pickup range
- Up to 4 VCM34 in one system

CPW90 Wireless Microphone KIT (VC500-Mic)

- DECT Technology
- 800mAh battery capacity

- 24-hour talking time, 7-day standby time
- Indoor range: 50m
- Outdoor Range: 300m (in ideal conditions)
- 10-foot (3-meter) 360° voice pickup
- Mute the microphone with touchpad

Call Features

- 1080p60 people + 1080P30 content sharing video quality
- Video Layout: Picture-in-picture (PIP)
- Video/audio recording and playback
- Dual displays and 'focus' feature
- Screenshots in USB flash drive
- Group dial
- YMS meeting control:
 - invite/remove
 - mute/unmute participates
 - lock
- DND (do not disturb), call statistics
- Auto answer, mute, and call waiting
- Virtual keyboard
- Local directory: 500 entries
- Call history: all/misled/received/dialed
- LDAP phonebook
- Multi-language support
- Additional five-way audio call

Standard Communication Protocol

- H.323/SIP
- Dual stream protocol: H.239 (H.323)/BFCP (SIP)
- FECC: H.224/H.281, Sony VISCA and PELCO D/P
- H.323 protocol suite: H.245, H.225, H.235, H.241
- Gatekeeper account and SIP account

Compatible Cloud Platforms

- Yealink Cloud Management Service
- Yealink Meeting Server
- StarLeaf/UC OpenCloud, supports QCP code
- Pexip/Zoom/BlueJeans/EasyMeet/Videxio

Network and Security Features

- IPv4 and IPv6, DHCP/static IP
- HTTP/HTTPS web server
- RS232/HTTP API for control system integration
- SRTP/TLS, AES 256-bit encryption
- QoS: 802.1p/q, Diff-serv
- VLAN, IEEE802.1X, LLDP-MED
- Anti-attack
- Network diagnosis: Ping, trace route
- Time and date synchronization using SNTP
- Built-in certificate

NAT and Firewall Traversal

- ICE/TURN/STUN
- H.460
- NAT (manual/auto mode)
- Yealink intelligent firewall traversal
- Open VPN

Configuration Management

- Configuration via browser/display/CTP20/auto-provisioning
- Virtual remote control
- Firmware upgrading, factory resetting
- Export or import configuration
- System log exporting

VC500 Codec Connections

- 2 x HDMI output
- 1 x Yealink extension port (RJ-45) connect to VCH50/VCM34
- 1 x 10/100/1000M Ethernet port
- 2 x USB 2.0
- 1 x Power port
- 1 x Security lock slot
- 1 x Reset slot

VCH50 Connections

- 1 x RJ45 port connect to VC500 codec
- 1 x RJ45 port connect to VCM34
- 1 x HDMI input for content sharing (with audio)
- 1 x Mini-DP input for content sharing (with audio)
- 1x USB 2.0 for recording

Other Physical Features

- Color: Space Silver
- External Yealink Power Adapter: AC 100~240V input and DC 48V/0.7A Output
- Wall/TV mounted shelf with screws
- Power consumption (PSU): Idle<7.8W, normal operating: 8W; MAX: 11.8W
- USB Output: 5V  1A
- Dimension (W.D.H):
 - VC500 codec: 300 mm x 99 mm x 165.3 mm
 - CTP20: 321.5 mm x 118 mm x 196 mm
 - VCM34: 169 mm x 171.5 mm x 37.5 mm
 - CPW90: 86 mm x 86 mm x 86 mm
 - VCR11: 190 mm x 55 mm x 24 mm
- Operating humidity: 10~95%
- Operating temperature: 0~40°C
- Storage temperature: -30~70°C

Package Features

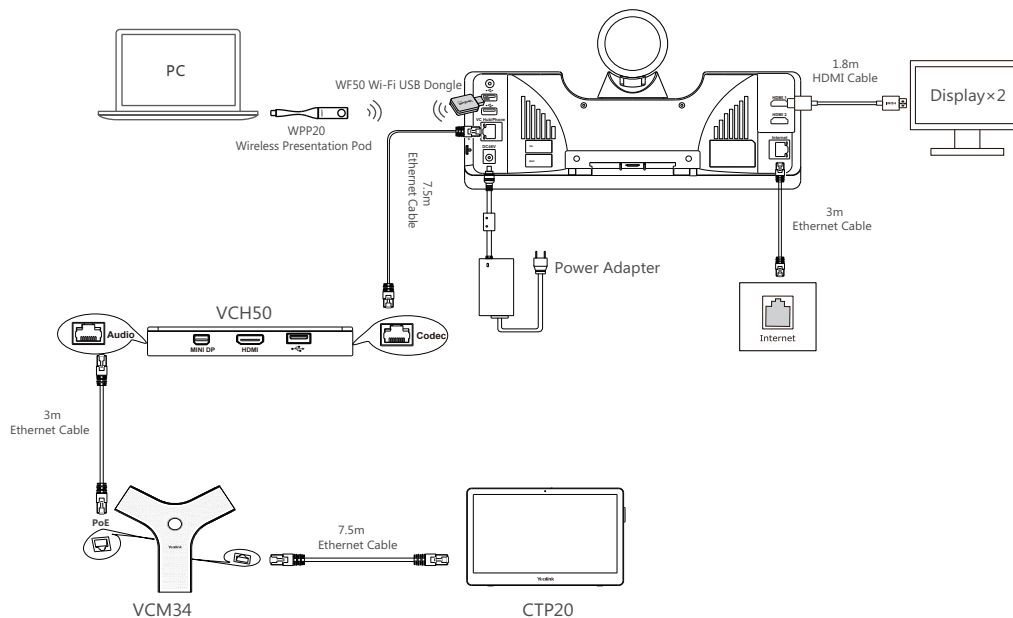
- N.W/CTN: 6.6 kg
- G.W/CTN: 7.8 kg
- Giftbox size: 385mm x 290mm x 245mm

Compliance



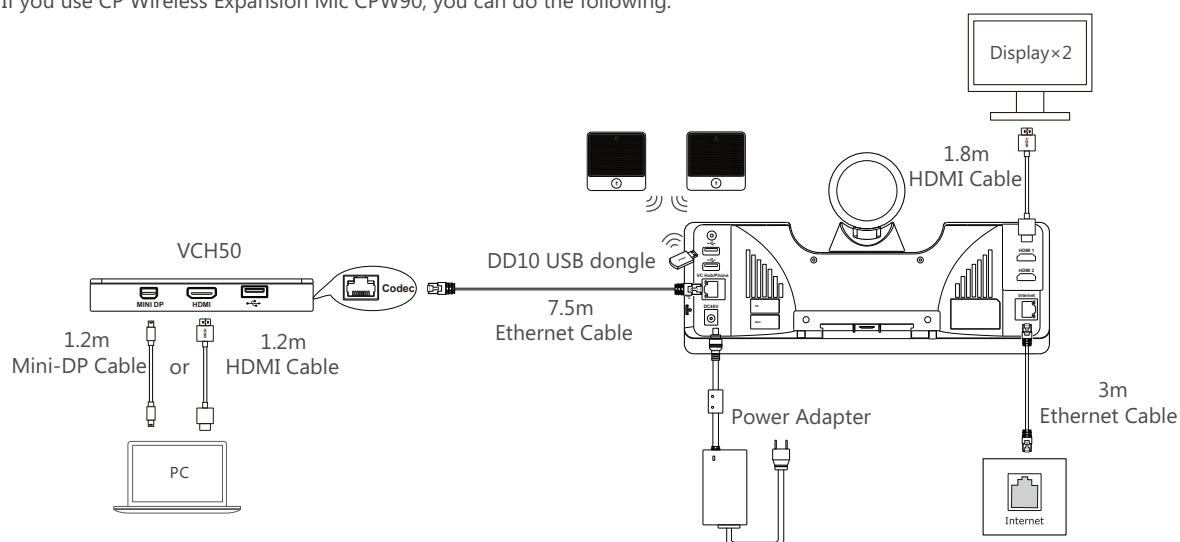
Connections

- If you use Video Conferencing Microphone Array VCM34 (VC500-VCM-CTP), you can do the following:



💡 If you do not need the VCH50 video conferencing hub to share content, you can connect the VC Hub/Phone port on the system to the PoE port on the VCM34 directly.

- If you use CP Wireless Expansion Mic CPW90, you can do the following:



💡 The CPW90 wireless microphones and DD10 USB dongle are automatically paired from the factory.

💡 To use CPW90 wireless microphones, connect the DD10 USB dongle to one of the USB ports in the VC500 codec. Then the CPW90 wireless microphones can work as audio input devices.

About Yealink

Yealink is a global leading provider of enterprise communication and collaboration solutions, offering video conferencing service to worldwide enterprises. Focusing on research and development, Yealink also insists on innovation and creation. With the outstanding technical patents of cloud computing, audio, video and image processing technology, Yealink has built up a panoramic collaboration solution of audio and video conferencing by merging its cloud services with a series of endpoints products. As one of the best providers in more than 140 countries and regions including the US, the UK and Australia, Yealink ranks No.1 in the global market share of SIP phone shipments.

Copyright

Copyright © 2019 YEALINK(XIAMEN) NETWORK TECHNOLOGY CO., LTD.

Copyright © 2019 Yealink(Xiamen) Network Technology CO., LTD. All rights reserved. No parts of this publication may be reproduced or transmitted in any form or by any means, electronic or mechanical, photocopying, recording, or otherwise, for any purpose, without the express written permission of Yealink(Xiamen) Network Technology CO., LTD.

Technical Support

Visit Yealink WIKI (<http://support.yealink.com/>) for firmware downloads, product documents, FAQ, and more. For better service, we sincerely recommend you to use Yealink Ticketing system (<https://ticket.yealink.com>) to submit all your technical issues.



YEALINK(XIAMEN) NETWORK TECHNOLOGY CO.,LTD.
Web: www.yealink.com
Addr: No.1 Ling-Xia North Road, High Tech Park,
Huli District, Xiamen, Fujian, P.R. China
Copyright©2019 Yealink Inc. All right reserved.