

Features

- **High Visibility, Even in Daylight**
- **Low Power Consumption (.39 Amperes)**
- **UL Listed for Outdoor Wet Locations**
- **Low Operating Temperature**
- **240 Flashes Per Minute**
- **UL/cUL Listed**
- **Dry Contact Closure Output**
- **120 V ac Input**



The Model 540-001 LED Strobe features an integral LED tower with constant-on and flashing operations. In addition, the LED strobe provides a secondary contact output for activation of external auxiliary equipment.

The Model 540-001 LED Strobe is specifically designed to operate with all GAI-TRONICS' emergency and SMART telephones, providing 240 flashes per minute when the telephone is in use. GAI-TRONICS' emergency telephones are typically installed in many types of public areas such as, college campuses, parking garages, shopping malls, hospitals, sports arenas, amusement parks and more.

The Model 540-001 LED Strobe is designed for easy installation in our model 234 series free-standing and 234WM, 240WM and 241WM series wall-mount, heavy-duty towers. Additionally, it can be freely mounted to any flat surface by utilizing a model 4115A Mounting Bracket.

GAI-TRONICS' "Blue Light" LED Strobe design offers benefits such as:

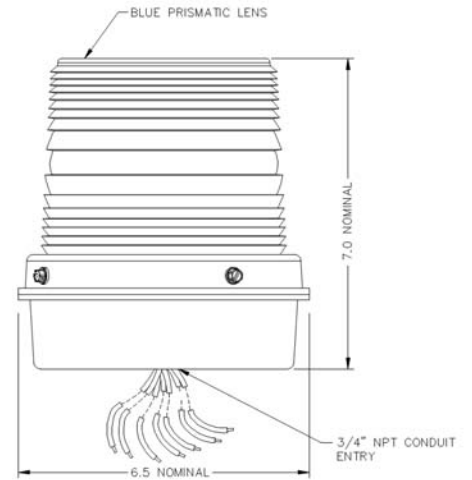
- The constant-on, blue "glow" easily identifies the nearest GAI-TRONICS telephone, even in sunlight.
- LED technology greatly reduces maintenance costs (no bulbs to replace).
- Low power consumption provides energy savings over incandescent and fluorescent bulb models.

Each strobe package includes a 3/4" NPT adapter to raise the strobe position in a model 234 free-standing tower installation, if desired.

Specifications

Operating voltage 120 V ac @ 60 Hz
 Nominal current 0.39 amperes
Note: The rated 0.39A current at 120 V ac 60 Hz is average during operation of the steady light or strobing LED. A short duration inrush current as high as 50 amps may be experienced when power is first applied to the strobe. Current limiting and/or current protection devices should be specified accordingly.

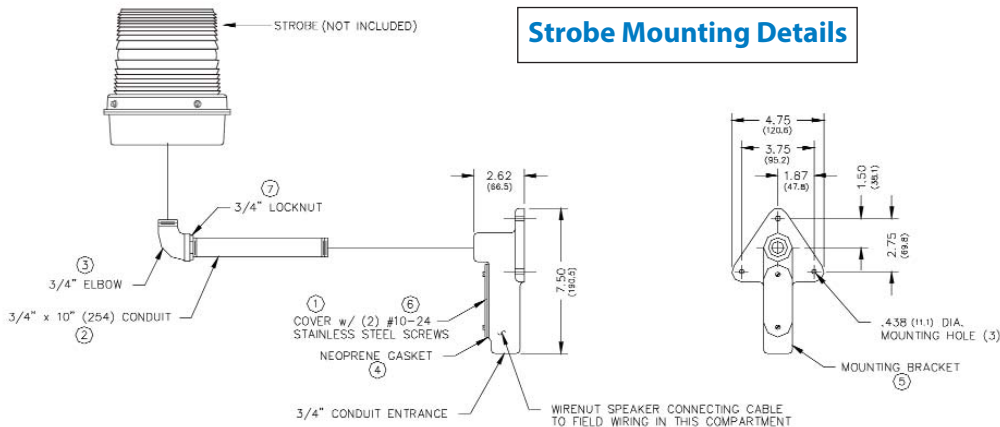
Rated LED life Up to 100,000 hours
 Flashes per minute 240
 Auxiliary contact maximum rating 2 amps @ 30 V dc; 2 amps @ 240 V ac
 Operating (environment) temperature range -40° C to +66° C (-40° F to + 150° F)
 Environmental UL "Outdoor Wet" Locations
 Terminations (ac, control, auxiliary contact)..... 15-ft. No. 18 AWG wire
 Construction:
 Base: Die-cast aluminum (black powder coat)
 Dome: Polycarbonate (blue)
 Dimensions 7.00 H x 6.50 W inches (177.8 x 165.1 mm)
 Shipping weight 6.5 lbs (2.9 kg)
 Mounting 3/4 inch NPT female
 Approvals UL 1638 / CSA C22.2 No. 205-12



Accessories

The Model 4115A Surface-Mount Strobe Mounting Bracket Assembly includes the following components:

- Aluminum wall-mounting bracket, 3/4" NPT entrance and exit
- Gasketed access cover with stainless steel screws
- 10" galvanized conduit pipe nipple
- 3/4" NPT, 90° aluminum elbow
- Pipe nipple lock nut



Note: GAI-TRONICS' telephones and strobes are sold separately.