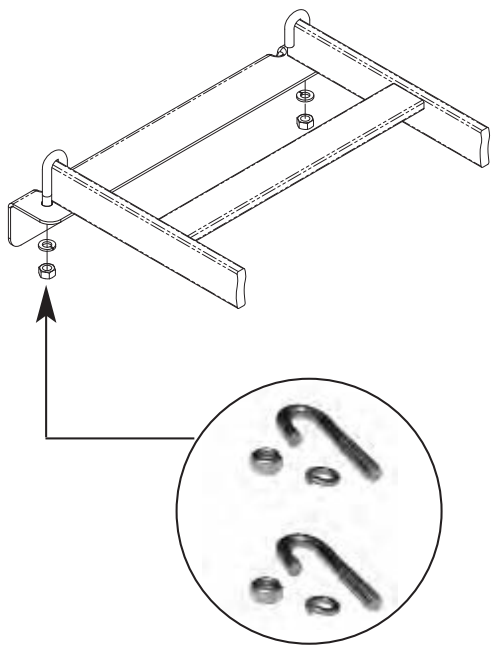


## Wall Angle, Cable Runway

Steel angles used as a wall support or as part of earthquake bracing.

- Material is 2" x 2" x 3/16" (50 mm x 50 mm x 4.763 mm) steel
- Color used is Gray (other colors available)
- Wall angle is not pre-drilled

Part Number	Dim. A ft (m)	Color	Shipping Weight lb (kg)
11420-101	1 (0.3)	Gray	3 (1.4)
11420-104	4 (1.2)	Gray	7 (3.2)
11420-108	8 (2.4)	Gray	20 (9.1)
11420-110	10 (3.0)	Gray	23 (10.4)



## J-Bolt Kit, Cable Runway

To attach Cable Runway to Wall Angle Support, a Wall Support Bracket or to a MegaFrame® Cabinet.

**Kit (wall angle/support) consists of:**

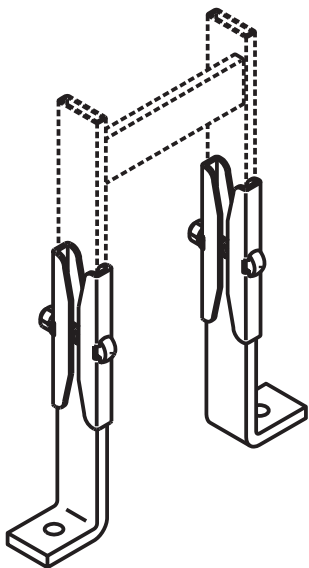
- (2) 5/16-18 x 2-1/4" J-bolts (11431-001)
- (2) 5/16-18 hex nuts
- (2) 5/16 split lock washers

**MegaFrame kit consists of:**

- (4) 5/16-18 x 3-1/4" J-bolts
- (4) 5/16" split lock washers
- (4) 5/16-18 hex nuts

Part Number	Color	Shipping Weight lb (kg)
11308-X01	J-Bolt Kit	1 (0.5)
11308-X05	J-Bolt Kit, MegaFrame	1 (0.5)

X=color: 0=Gold, 7=Black



## Foot Kit, Cable Runway

To attach and secure Cable Runway to a wall or floor. Foot made of 3/8" x 1-1/2" x 6"H (9.53 mm x 38 mm x 150 mm) steel.

**Kit consists of:**

- (2) cable rack feet
- (4) splice plates
- (2) 3/8-16 x 2 1/4" trimmed round head square neck bolts
- (2) 3/8-16 hex nuts
- (2) 3/8" lock washers

Part Number	Color	Shipping Weight lb (kg)
11309-X01	Foot Kit	4 (1.8)

X=color: 0=Gold, 1=Gray, 2=White, 7=Black. Gold and white kits include gold color hardware, Gray and black kits include black color hardware.