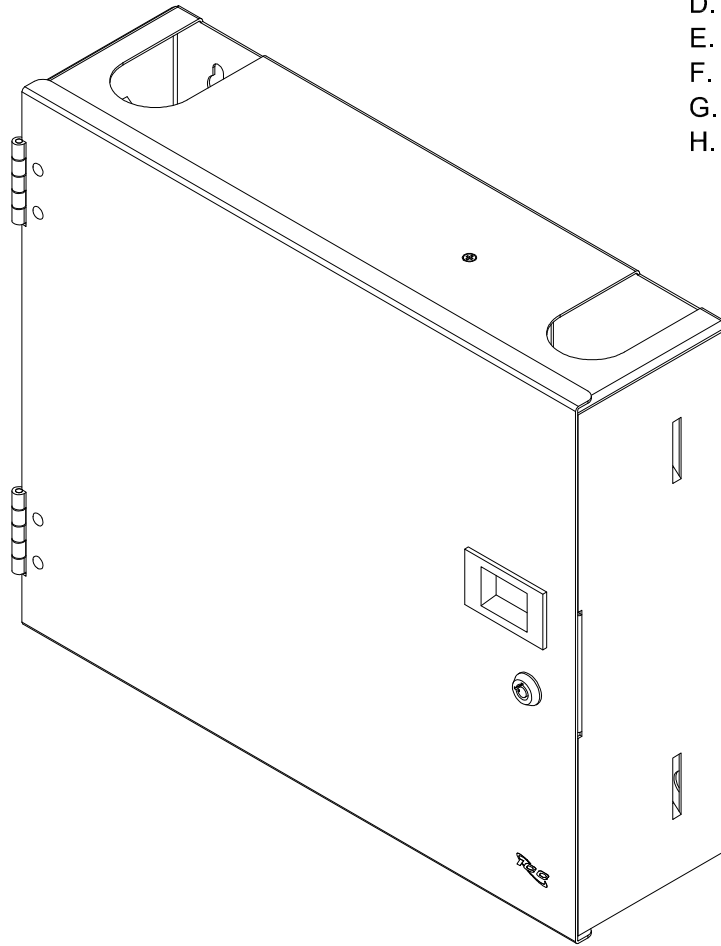


Fiber Optic Wall Mount Enclosure 4-Panel

PRODUCT SPECIFICATION

Package includes:

- A. 4-Panel Wall Mount Enclosure, 1 pc
- B. Cable Management Spool, 4 pcs
- C. M5-0.8 Nut, 4 pcs
- D. Hook and Loop Tie, 4 pcs
- E. Key, 2 pcs
- F. Location Identification Label, 1 pc
- G. Danger Label, 1 pc
- H. Installation Instructions, 1 sheet



Features and Benefits:

- High quality material and folded edges design allow for strength and durability.
- Top and bottom openings allow room for cable entry and exit and also help minimize cable build up.
- Provides easy accessibility for managing fiber optic cable.
- Built in cable management spools provide easy cable routing.
- Holds four ICFO fiber optic adapter panels.
- Accepts two ICFOSKFM12 slice trays.

WALL ENCLOSURE, FIBER, 4-PANEL, SINGLE DOOR

ITEM NO. ICFODE41WM

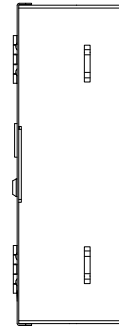
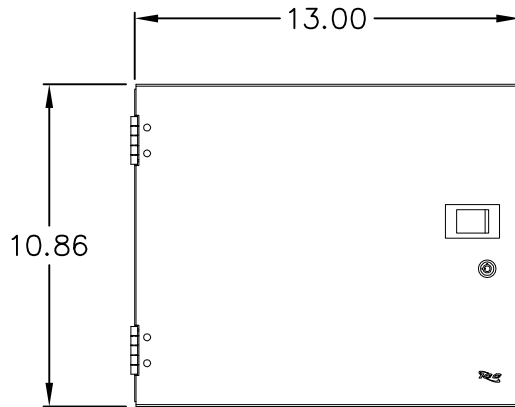
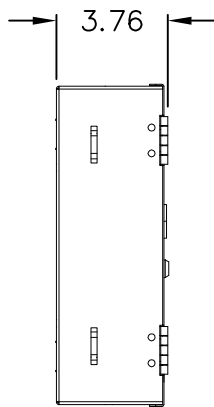
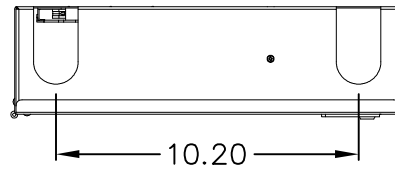
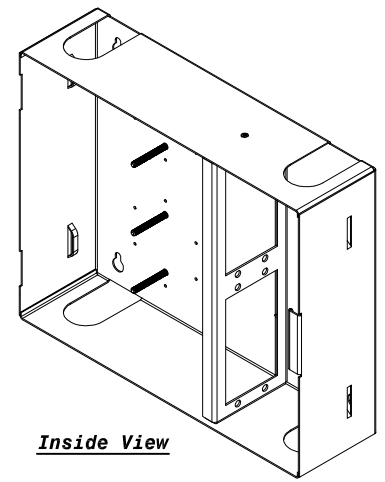
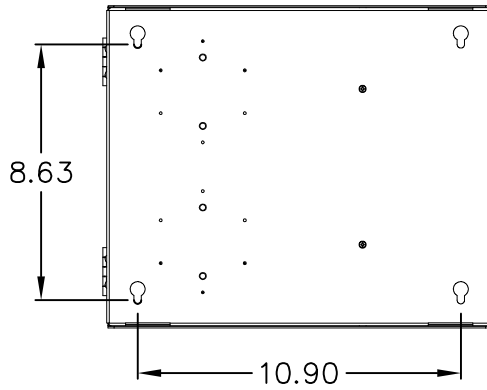
REV. A

DWG NO. PSFODE41WM

PAGE NO. 1



CUSTOMER CARE / TECHNICAL SUPPORT * CSR@ICC.COM / 888-ASK-4-ICC (275-4422) * 14700 Alondra Blvd., La Mirada, CA 90638 * www.icc.com



NOTE: UNLESS OTHERWISE SPECIFIED

1. MATERIAL:
 - A. ENCLOSURE: 18 GA CRS
 - B. ADAPTER BULKHEAD: 16 GA CRS
2. FINISH: BLACK POWDER COAT

WALL ENCLOSURE, FIBER, 4-PANEL, SINGLE DOOR

ITEM NO. ICFODE41WM
 DWG NO. PSFODE41WM

REV. A
 PAGE NO. 2



CUSTOMER CARE / TECHNICAL SUPPORT * CSR@ICC.COM / 888-ASK-4-ICC (275-4422) * 14700 Alondra Blvd., La Mirada, CA 90638 * www.icc.com