

EZ-RJ45™ CAT 6 Plug and Crimp Tool

APPLICATION

The EZ-RJ45 CAT 6 Plug and Crimp Tool provides quick, cost-effective UTP wire terminations. The plug features openings that allow wires to be inserted and extended out of the front, providing increased performance, wire sequence verification, and no wasted connectors, crimps, or bad terminations. The crimp tool features a built-in cutter and stripper that crimps and cuts wires in one operation. It accommodates EZ-RJ45 plugs, and most standard RJ-45 and RJ-11 plugs. This craft-friendly tool features precision ground crimp dies, a full cycle ratcheting mechanism, and steel construction for strength and durability.

EZ-RJ45 CAT 6 Plug



FEATURES

- Clear housing for wire sequence verification
- Plug opening allows cables to feed through for crimp precision

DESIGN CONSIDERATIONS

- 8-conductor modular plug
- For conductors with OD range of 0.037 – 0.042
- Insert/extraction life: 1000 cycles
- Terminates both solid and stranded cable

PHYSICAL SPECIFICATIONS

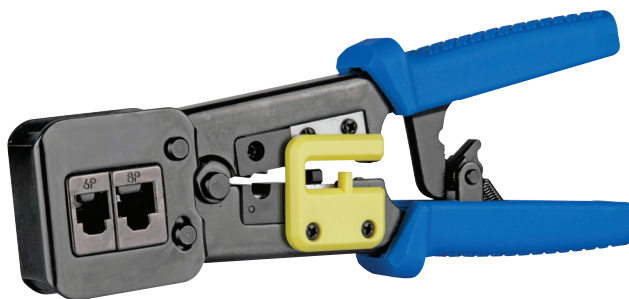
Dimensions: See page 2
Materials: Polycarbonate body
Phosphor bronze contacts

COUNTRY OF ORIGIN

CAT 6 Plug: USA
Crimp Tool: Taiwan

WARRANTY INFORMATION

For a copy of Leviton product warranties, visit www.leviton.com/warranty.



EZ-RJ45 Crimp Tool

47613-EZ6, 40989-ACT

Leviton Network Solutions

2222 - 222nd St. SE
Bothell, WA 98021-4416

tel 1-800-824-3005
tel +1-425-486-2222
appeng@leviton.com
www.leviton.com

Asia / Pacific

T +1.631.812.6228
E infoasean@leviton.com

Europe

T +33.6.8869.1380
E infoeurope@leviton.com

Canada

T +1.514.954.1840
E pcservice@leviton.com

India / SAARC

T +91.80.4322.5678
E infoindia@leviton.com

Caribbean

T +1.954.593.1896
E infocaribbean@leviton.com

Mexico

T +52.55.5082.1040
E lsamarketing@leviton.com

China

T +852.2774.9876
E infochina@leviton.com

Middle East & Africa

T +971.4.886.4722
E lmeinfo@leviton.com

Colombia

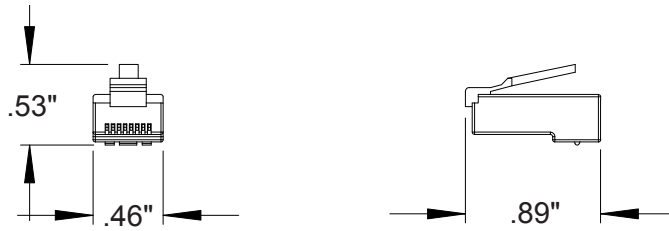
T +57.1.743.6045
E infocolombia@leviton.com

South Korea

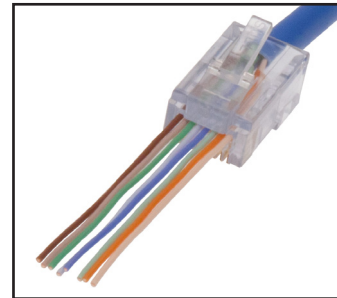
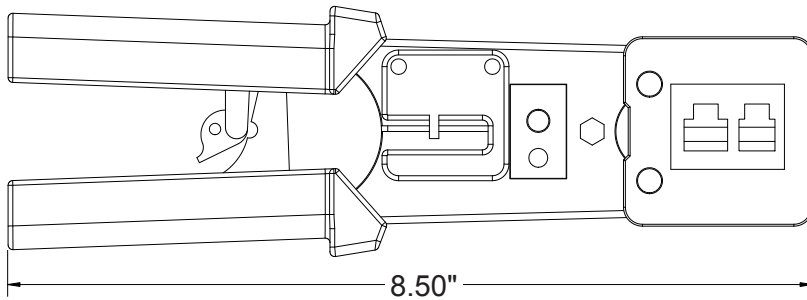
T +82.2.3273.9963
E infokorea@leviton.com

ELECTRONIC FILES

For CAD files, typical specs, or technical drawings (.DXF, .DWG), visit www.leviton.com.



47613-EZ6, 40989-ACT



PART NUMBERS

Description	Part No.
EZ-RJ45™ CAT 6 Plug	47613-EZ6
EZ-RJ45 Crimp Tool	40989-ACT

Note: EZ-RJ45 is a trademark of SullStar Technologies, Inc.

