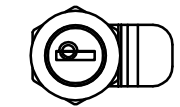
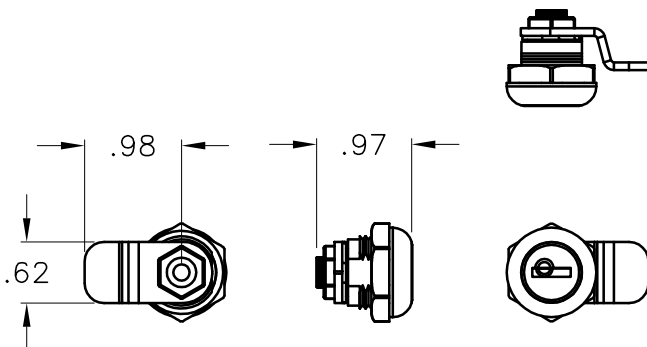
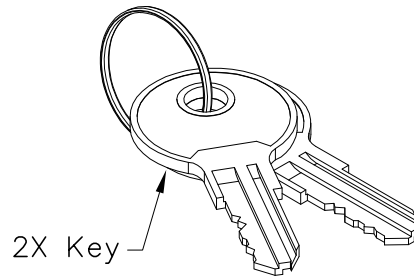
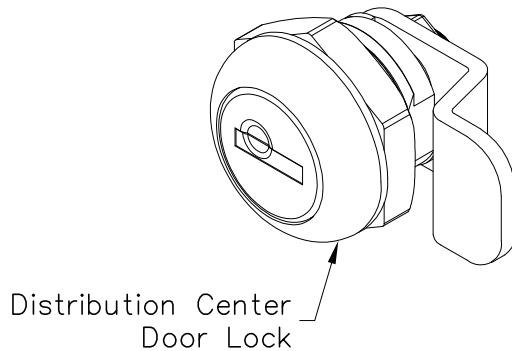


Distribution Center Door Lock

PRODUCT SPECIFICATION

Package includes:

- A. Distribution Center Door Lock, 1 pc
- B. Key, 2 pcs



LOCK POSITION



UNLOCK POSITION

NOTE: UNLESS OTHERWISE SPECIFIED

1. MATERIAL: CRS WITH ZINC PLATING
BRASS KEYS

Features and Benefits:

- Designed to fit ICC's 14", 21", 28", and 42" distribution center doors
- Helps prevent unwanted access
- Comes with 2 keys

DISTRIBUTION CENTER DOOR LOCK

ITEM NO. ICRDSDC2LK
DWG NO. PSRDSDC2LK

REV. B
PAGE NO. 1



CUSTOMER CARE / TECHNICAL SUPPORT * CSR@ICC.COM / 888-ASK-4-ICC (275-4422) * 14700 Alondra Blvd., La Mirada, CA 90638 * www.icc.com