



**Middle Atlantic Products**

EXCEPTIONAL SUPPORT & PROTECTION™

## PowerCool™ Series



EIA/TIA Compliant

### PowerCool Series space saving integrated power and cooling solution

#### Features

- Space saving 1 rackspace design
- Fan speed proportional to temperature of enclosure to extend fan life, reduce dust and maintenance
- 2 stage surge suppression protects against damage from power surges and spikes
- Provides notification when surge protection is compromised via local LEDs and dry contact (depending on model)
- Quiet operation, 29 dB
- Available keyswitch model prevents unauthorized control of unit
- Available in flat black or black brushed and anodized finishes



PDCOOL-1015RA



PDCOOL-1115R



PDCOOL-1120R



PDCOOL-1020RK



REAR VIEW

#### Architects' and Engineers' Specifications

EIA compliant 19" PowerCool™ Rackmount power distribution and cooling unit shall be Middle Atlantic Products model # PD-COOL-\_\_\_ (refer to chart), with a \_\_\_ (15, 20 refer to chart) amp capacity, 2 stage, normal mode (Line to Neutral) spike and surge suppression with dry contact and LED status indicators and EMI filtering (refer to chart). PowerCool shall activate at 87°F (30.5°C), reach full speed at 95°F (35°C) and switch off at 85°F (29.4°C). PowerCool shall displace 50 CFM with a maximum decibel level of 29 dB (measurements made 1 meter from source, centered horizontally and vertically). PowerCool shall operate at a static pressure of .031 in. H<sub>2</sub>O. PowerCool shall have a removable 10" temperature probe. PowerCool shall have a normally open contact closure for remote surge suppression status notification to customer supplied monitoring device shall operate on 120 volt AC/60Hz nominal power. PowerCool shall have a removable

6' \_\_\_A (14-3) IEC SignalSAFE™ power cord with IEC C-(14 or 20) receptacle (refer to chart). PowerCool shall have \_\_\_(0,1) front and 10 NEMA 5-\_\_\_R outlets, and (circuit breaker switch with switch guard, keyswitch, always on, refer to chart) located on the front of the unit. "Clean ground" surge suppressor design shall not pass noise contamination to the ground. PowerCool shall occupy one rackspace with a (flat black, black brushed and anodized finish, refer to chart). PowerCool shall be RoHS EU Directive 2002/95/EC compliant. PowerCool shall be manufactured by an ISO 9001 registered company. PowerCool shall be warranted to be free from defects in materials and workmanship under normal use and conditions for a period of 3 years. PowerCool shall be ETL listed to UL standard 1419 in the US and CAN/CSA C22.2 #60065 in Canada.

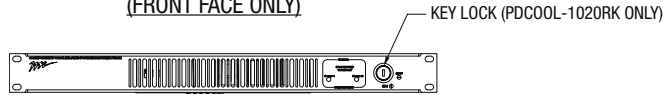
**CUSTOMIZABLE SPECIFICATION CLIPS AVAILABLE AT MIDDLEATLANTIC.COM**

# PowerCool™ basic dimensions

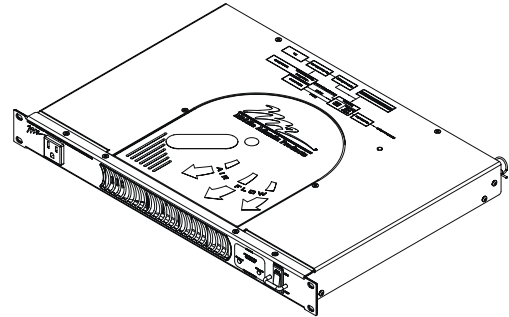
All dimensions in inches unless otherwise noted [All dimensions in brackets are in millimeters]



**PDCOOL-1020RK  
(FRONT FACE ONLY)**

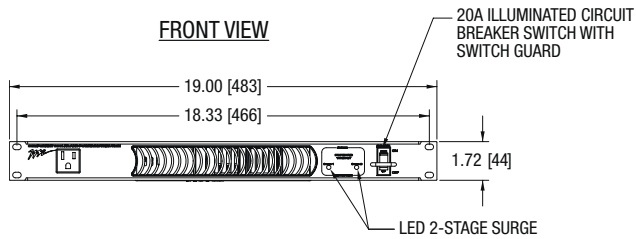


KEY LOCK (PDCOOL-1020RK ONLY)

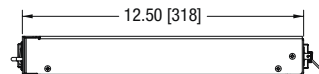


**PDCOOL-1115R SHOWN**

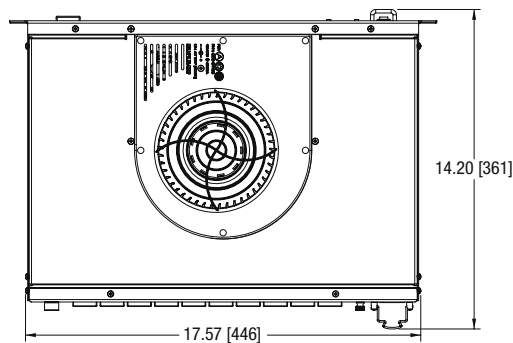
**FRONT VIEW**



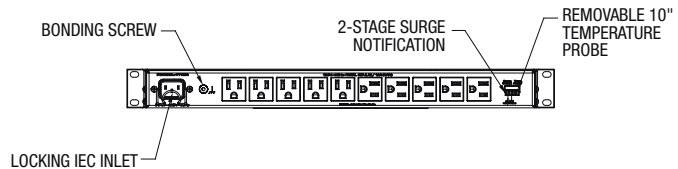
**SIDE VIEW**



**BOTTOM VIEW**



**REAR VIEW  
(ORIENTATION OF OUTLETS VARY)**



**NOTES:**

**1) FAN SPECIFICATIONS (ALL MODELS)**

AIRFLOW: 50 CFM [1.4 M<sup>3</sup>/MIN]  
 SOUND LEVEL: 29dBA @1M  
 STATIC PRESSURE: .031 IN H<sub>2</sub>O [77.22Pa]  
 TURN ON: 87°F [30.5°C]  
 TURN OFF: 85°F [29.4°C]

Part #	Front Face Finish	Power Input	IEC Cord	Front Outlet	Rear Outlet Qty	Rear Outlet Type	Peak Load @ 120VAC	Input Voltage Range (60 Hz Only)	Circuit Breaker Switch	Switch Keylock
PDCOOL-1115R	Flat Black	Locking IEC C14 Inlet	6' C13 5-15P SignalSAFE™ IEC Cord	1 Qty X 15A	10	NEMA 5-15R	15A	100-130VAC / 60Hz	Yes	No
PDCOOL-1120R	Flat Black	Locking IEC C20 Inlet	6' C19 5-20P SignalSAFE™ IEC Cord	1 Qty X 20A	10	NEMA 5-20R	20A	100-130VAC / 60Hz	Yes	No
PDCOOL-1020RK	Flat Black	Locking IEC C20 Inlet	6' C19 5-20P SignalSAFE™ IEC Cord	None	10	NEMA 5-20R	20A	100-130VAC / 60Hz	No	Yes
PDCOOL-1015RA	Black Brushed & Anodized	Locking IEC C14 Inlet	6' C13 5-15P SignalSAFE™ IEC Cord	None	10	NEMA 5-15R	15A	100-130VAC / 60Hz	No	No