

deQuorum™ Recessed Work Surface Portals

deQuorum™ Recessed Work Surface Portals provide flexibility in décor, data and A/V connectivity options, and installation to meet specific functional and aesthetic needs. deQuorum™ Recessed Work Surface Portals feature covers that can be closed during use to make the portal unobtrusive.



deQuorum Work Surface Portals provide flush surface-mounted access to power and communications services.

CODE REFERENCE

cULus Listed Relocatable Power Tap:

File E66421 Guide XBYS

cULus Listed Multioutlet Assembly:

File E15191 Guide PVGT

Listed to US & Canadian Safety Standards

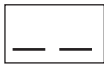
Meets Article 380 of NEC.

deQUORUM WORK SURFACE PORTALS COLOR OPTIONS

deQuorum Work Surface Portal Covers are available in the following finishes: Black and Gray

deQuorum Recessed Work Surface Portals Part Number Configurator

deQuorum Recessed Work Surface Portals

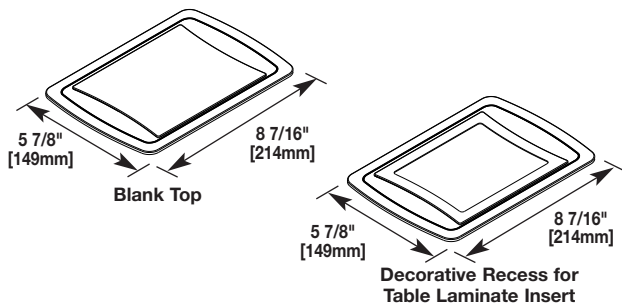


deQuorum Series:	Cover Style:	Cover Color:	Communications:	Top Style:
KC = Cord Ended KF = Field Wired	Flush = 1 Contoured = 4	Black = 0 Gray = 5	Ortronics = RT Wiremold = CM Open System	Recessed = 2 Blank = 8

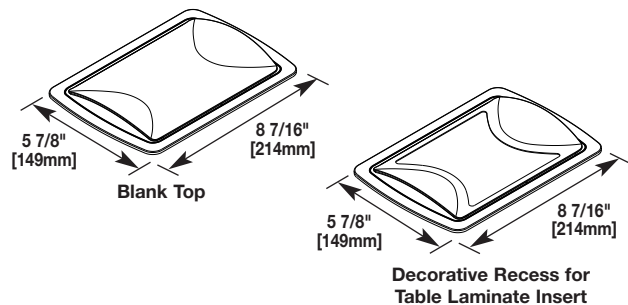
For information regarding communication inserts, go to:
www.legrand.us/wiremold

deQuorum Recessed Work Surface Portals Cover Options

FLUSH COVERS – Available finishes: Black or Gray. Shown with flange.



CONTOURED COVERS – Available finishes: Black or Gray. Shown with flange.



deQuorum Recessed Work Surface Portals In-Stock Configurations Ordering Information

CATALOG NUMBER	DESCRIPTION	Cord-Ended Unit
KC10CM2	Cord-ended with black, flush cover with decorative recess. Unit comes with two 20A gasketed prewired receptacles with a 12' [3.65m] 14/3 SJT black cord. Includes adapters for Wiremold CM Series Open System communications outlets. Communication modules sold separately.	
KC10RT8	Cord-ended with black, flush cover. Unit comes with two 20A gasketed prewired receptacles with a 12' [3.65m] 14/3 SJT black cord. Includes adapters for Ortronics® Series II and TracJack inserts. Communication modules sold separately.	
KC15RT8	Cord-ended with graphite, flush cover. Unit comes with two 20A gasketed prewired receptacles with a 12' [3.65m] 14/3 SJT black cord. Includes adapters for Ortronics® Series II and TracJack inserts. Communication modules sold separately.	
KF10CM8	Field-wired with black, flush cover. Unit comes with two 20A gasketed prewired receptacles with a 3/8" [9.5mm] diameter 6' [1.83m] flexible whip. Includes adapters for Wiremold CM Series Open System communications outlets. Communication modules sold separately.	
KF15RT2	Field-wired with graphite, flush cover with decorative recess. Unit comes with two 20A gasketed prewired receptacles with a 3/8" [9.5mm] diameter 6' [1.83m] flexible whip. Includes adapters for Ortronics® Series II and TracJack inserts. Communication modules sold separately.	

deQuorum Recessed Work Surface Portals Communication Plates Ordering Information

PART NO.	DESCRIPTION	PART NO.	DESCRIPTION
KA102RT	<p>Replacement Ortronics Communications Plate – Installed adapters will accommodate either Ortronics® Series II front-loading module system or the TracJack individual jack system. Includes black plate, three (3) Series II and three (3) TracJack adapters.</p>	KA302	<p>Cable Cord Keeper Plate – Holds cables captive for easy access when active jacks are not needed. Pull the cable out for use. Keeper bars provide seven adjustable openings for cables ranging from .150" to .350" [3.8mm to 8.9mm] in diameter.</p>
KA104CM	<p>Replacement Wiremold Open System Communications Plate – Installed adapters accept Wiremold CM Series modules to accommodate a wide range of communications outlets. Includes black plate and three (3) Wiremold Open System CM2 adapters.</p>	KA305	<p>Extron® Mini AAP Adapter Plate – Accepts six (6) single size MAAP or three (3) double size MAAP modules, or any combination. Includes necessary hardware.</p>
KA700	<p>Replacement 20A Gasketed Receptacle Plate – Plate has factory-installed receptacles ready to connect with installed unit. Can be used for field-installed or cord-ended units.</p>	KA305-AAP	<p>Extron® AAP Adapter Plate – Accepts three (3) AAP plates. Includes necessary hardware.</p>
		KA301	<p>Single-Gang Opening Plate – Use this plate to install any communication and/or multimedia connectivity that requires a single-gang wallplate. Includes necessary mounting hardware.</p>