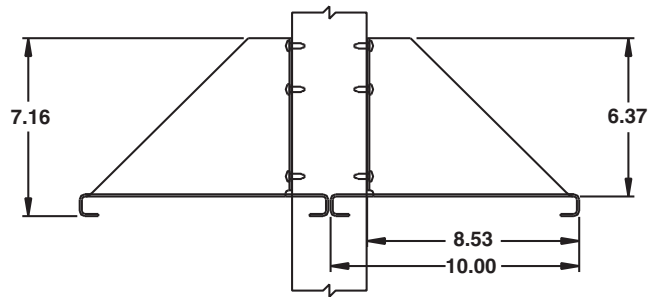
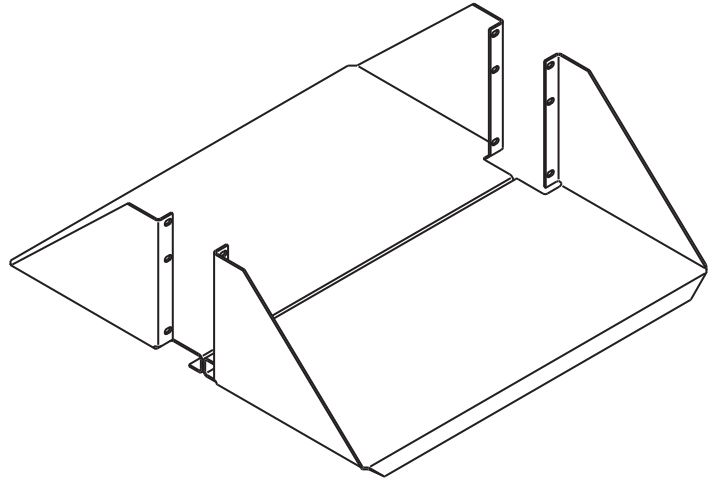


Product Cut Sheet

HEAVY-DUTY EQUIPMENT SHELF FOR 3" CHANNEL

Convenient for mounting large CPUs, power supplies, laser printers or any equipment requiring additional support.

- Made of sturdy .090 aluminum
- 20" deep x 7.2" high; holds up to 200 lb
- Mounting hardware not included
- Shipping weight approximately 8 lb



Part Number			Color
19" Rack	23" Rack	25" Rack	
11164-119	11164-123	11164-125	Gray
11164-219	11164-223	11164-225	White
11164-519	11164-523	11164-525	Clear
11164-719	11164-723	11164-725	Black

