

## HUBBELL USB Charger Tamper-Resistant Duplex Receptacle

### More Power - More Capacity - Charge Faster



#### FEATURES

- Two 3A, 5VDC, Type A, 2.0 USB ports
- Tamper Resistant (TR) decorator duplex
- Green LED indicator to show USB power available
- Spec grade design - impact and chemical resistant exterior
- Back and side wire for solid or stranded wire
- Flush Fit Design

#### SPECIFICATIONS

- Rated Voltage: Electrical 15Amp 125VAC, USB 3A 5VDC
- Input voltage: 125VAC, 60Hz
- Circuit feed-through 20Amp, 125Volt
- #10-14 AWG gauge wire terminals
- Dielectric withstand: 2000V
- Operating temperature: maximum continuous 75° C; minimum -40° C (without impact)
- Meets UL94 for 5V flammability rating
- Complies with battery charging specification USB BC1.2
- Compatible with USB 1.1/2.0/3.0 devices, including Apple products
- Complies with Part 15 of the FCC rules
- cULus listed to UL498 and 1310



Hubbell's USB Charger Receptacle provides both USB power and duplex electrical power in a standard decorator single gang electrical opening. Designed to provide more charging options for personal electronics, the USB ports are capable of charging two tablets simultaneously. Duplex 15 amp power outlets enable additional charging for appliance use.

#### APPLICATIONS

Excellent for use in renovation and replacement for existing duplexes to add delivery of USB charging. Ideal for use in universities, dormitories, hotels, restaurants, airports, classrooms and homes. Perfect for new construction.

Designed for use with:

- |                                 |                   |
|---------------------------------|-------------------|
| ■ Apple Products                | ■ Tablets         |
| ■ iPad                          | ■ GPS             |
| ■ iPod                          | ■ Smart Phones    |
| ■ iPhone                        | ■ Mobile Phones   |
| ■ other USB compatible products | ■ Digital Readers |
|                                 | ■ MP3 Players     |



Apple iPad, iPod, iPhone, and other companies, are trademarks of their respective companies.

# HUBBELL WIRING SYSTEMS

## ORDERING INFORMATION

Description	Color	Catalog Number
USB Charger Receptacle	Black	<b>USB15X2BK</b>
Two USB Type 2.0 Ports 3Amp, 5Volt DC	Gray	<b>USB15X2XGY</b>
15Amp, 125Volt AC Decorator Duplex	Ivory	<b>USB15X2XI</b>
	Light Almond	<b>USB15X2LA</b>
	White	<b>USB15X2W</b>

## Energy Information

USB Port Output	Energy consumed when USBs are not in use, per hour	Energy consumed when USBs are fully used, per hour
	No Load Current	.0013A
	No load Watts	.63W
	Full Load Current	3.23A
	Full Load Watts	19.7W

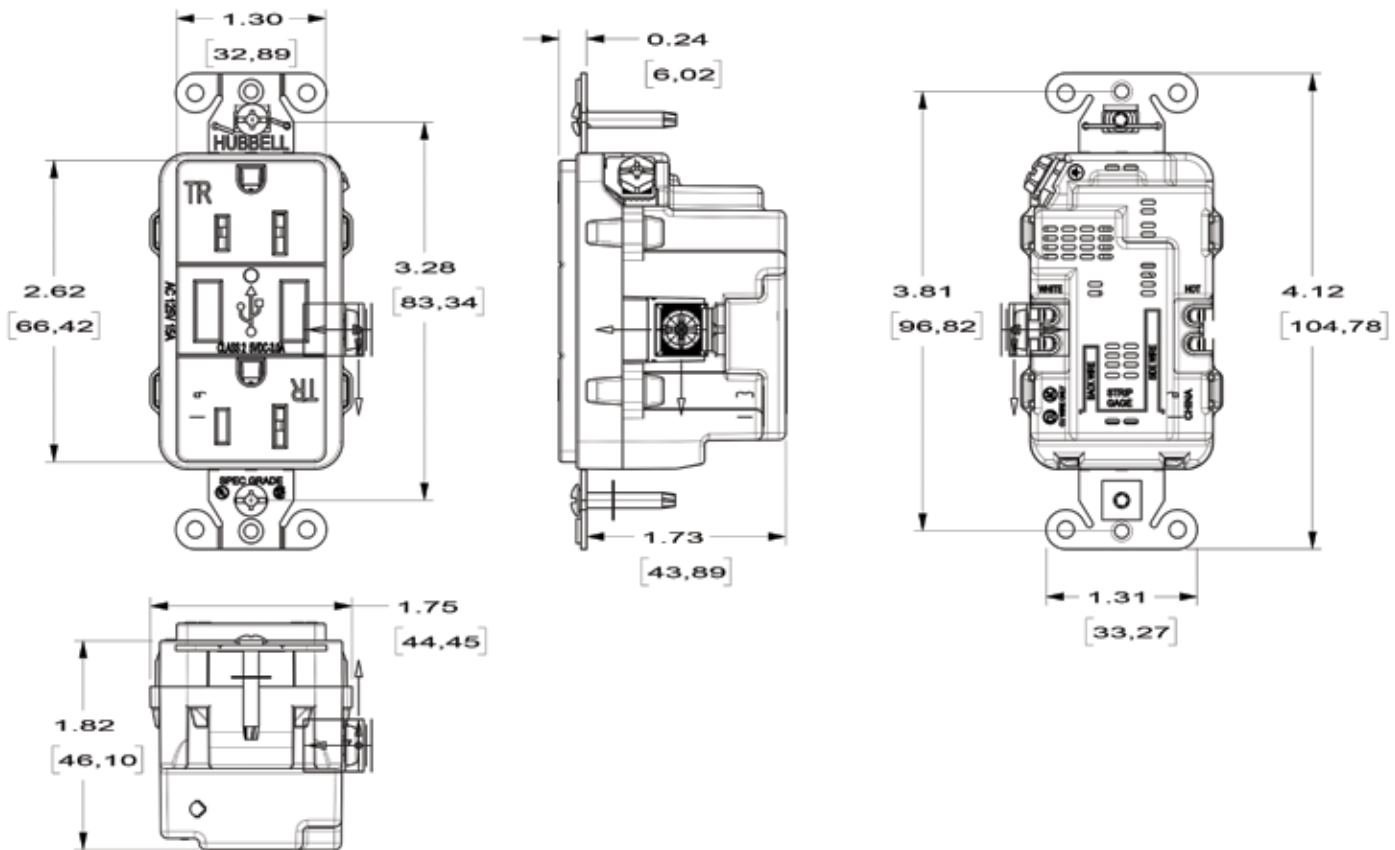
Time to charge an iPad or similar tablet with the Hubbell USB Charger, from 0% battery charge to 100%, is estimated between 5 to 6 hours

Estimated annual cost to use a USB Charger Receptacle, charging 2 devices (tablets drawing maximum power), for 6 hours a day, at a Kilowatt cost of \$0.10

Hours of use (6)	x	kilowatt cost (\$0.10)	x	kilowatt usage per hour (19.7w/1000*)	x	365 days =	\$4.31
Hours of non-use (18)	x	kilowatt cost (\$0.10)	x	kilowatt usage per hour (.63w/1000*)	x	365 days =	\$0.41
Total hours (24)						Total cost per year	\$4.72

\* to convert watts to kilowatts, divide watts by 1000.

## DIMENSIONS



**HUBBELL**<sup>®</sup>  
Wiring Systems

[www.hubbell-wiring.com](http://www.hubbell-wiring.com)



Hubbell Wiring Systems • Hubbell Incorporated (Delaware) • 40 Waterview Drive • Shelton, CT 06484 • Phone (800) 288-6000 • FAX (800) 255-1031  
Printed in U.S.A. Specifications subject to change without notice.

WLDSB003 10/12