

Preliminary



HD/1,280 x 960 H.264 Dome Network Camera with 2x Extra Zoom (WV-SF135) VGA/640 x 480 H.264 Dome Network Camera (WV-SF132)

Key Features

- 720p HD images up to 30 fps (WV-SF135)
- 1.3 Megapixel high sensitivity MOS Sensor (WV-SF135)
- 0.32 Megapixel high sensitivity MOS Sensor (WV-SF132)
- Multiple H.264 (High profile) streams and JPEG streams ensure simultaneous real time monitoring and high resolution recording by “UniPhier”, Panasonic’s proprietary System LSI platform.
- Full frame (Up to 30 fps) transmission at 1,280 x 960 image size (WV-SF135)
- Full frame (Up to 30 fps) transmission at VGA (640 x 480) image size (WV-SF132)
- ABS (Adaptive Black Stretch) technologies deliver wider dynamic range compared with conventional cameras.
- High sensitivity with Day & Night (Electrical) function:
 - 0.8 lx (Color), 0.6 lx (B/W) at F2.2 (WV-SF135)
 - 2.0 lx (Color), 1.3 lx (B/W) at F2.9 (WV-SF132)
- VIQS (Variable Image Quality on Specified area) technology allows the designated area to retain higher image quality while the excluded area will have a decreased image quality, which enables to use lower image file size and bit rate.
- Digital Noise Reduction: 3D-DNR ensures noise reduction in various conditions.
- Progressive scan ensures clear images with less motion blur and no tearing even when the subject is moving.
- Superior color reproduction by primary (RGB) color filter
- Electronic sensitivity enhancement:
 - Auto (Up to 16x) / OFF (WV-SF135)
 - Auto (Up to 8x) / OFF (WV-SF132)
- 2x extra zoom under VGA resolution (WV-SF135)
- 2x, 4x digital zoom controlled by browser
- Selectable light control modes: Indoor scene (50 Hz) / Indoor scene (60 Hz) / ELC (maximum exposure time)
 - Indoor scene (50 Hz/60Hz): Flicker caused by fluorescent lightning will be automatically compensated.
 - ELC (maximum exposure time): The lightning control will be automatically performed by adjusting shutter speed in the range of ELC.
- VMD (Video Motion Detection) with 4 programmable detection areas, 15 steps sensitivity level and 10 steps detection size
- Face detection function: detects the position of human face and the information is sent by XML or video stream.
- Meta data for VMD works with the WJ-ND400 playback VMD function.
- Privacy Zone can mask up to 2 private areas, such as house windows and entrances/exits.
- Camera title display: Up to 20 alphanumeric characters on the browser
- Alarm sources including VMD and Panasonic alarm command can trigger actions such as FTP image transfer, E-mail notification, Indication on browser, and Panasonic alarm protocol output.
- JPEG Image compression ratio can be changed by alarm so that higher quality image can be provided.
- Prioritized stream control: One of the video streams can be prioritized when multiple recorders or client PCs are accessing the camera so that the recorder or the client PC can maintain the frame rate.
- H.264 max. bit rate/client and Total bit rate control allows flexible network traffic management. Frame rate priority mode controls bit rate and compression ratio to provide the specified frame rate.
- Internet mode: H.264 images can be transmitted over HTTP protocol.
- Multi-language: English / Italian / French / German / Spanish / Russian / Chinese / Japanese
- IPv4/IPv6 protocol supported
- Supports SSL, DDNS (viewnetcam, RFC2136)
- Still images (JPEG) can be viewed on mobile phones via Internet.
- Onvif compliant model
- Low profile design for discrete installation
- Wide coverage
 - WV-SF135 Horizontal: 104°, Vertical: 85°
 - WV-SF132 Horizontal: 68°, Vertical: 53°

Standard Accessories

- | | |
|---|---|
| <ul style="list-style-type: none"> • Installation Guide1 pc. • Important Safety Instructions.....1 pc. • CD-ROM*11 pc. • Code Label*21 pc. • Lens adjuster.....1 pc. | <p>The followings are for installation.</p> <ul style="list-style-type: none"> • Installation Template Label1 pc. <p>*1 The CD-ROM contains the operating instructions and different kinds of tool software programs. *2 This label may be required for network management. The network administrator shall retain the code label.</p> |
|---|---|

Specifications

| TV System | | NTSC | PAL | |
|----------------------------------|---|---|--|--|
| Camera | Image Sensor | WV-SF135: 1/3 type MOS image Sensor WV-SF132: 1/5 type MOS image Sensor | | |
| | Effective Pixels | WV-SF135: Approx. 1.3 megapixels WV-SF132: Approx. 0.32 megapixels | | |
| | Scanning Mode | Progressive | | |
| | Scanning Area | WV-SF135: 4.8 mm (H) x 3.6 mm (V) (3/16" (H) x 5/32" (V)) WV-SF132: 2.69 mm (H) x 2.01 mm (V) (1/8" (H) x 1/16" (V)) | | |
| | Minimum Illumination | WV-SF135: Color: 0.8 lx (F2.2, Auto slow shutter: Off (1/30 s), Gain: On(High)) 0.05 lx (F2.2, Auto slow shutter: Max. 16/30 s, Gain: On(High)) BW: 0.6 lx (F2.2, Auto slow shutter: Off (1/30 s), Gain: On(High)) 0.04 lx (F2.2, Auto slow shutter: Max. 16/30 s, Gain: On(High)) WV-SF132: Color: 2.0 lx (F2.9, Auto slow shutter: Max. 8/30 s, AGC: High) 0.3 lx (F2.9, Auto slow shutter: Max. 8/30 s, AGC: High) *1 BW: 1.3 lx (F2.9, Auto slow shutter: Max. 8/30 s, AGC: High) 0.16 lx (F2.9, Auto slow shutter: Max. 8/30 s, AGC: High) *1 | | |
| | White Balance | AWC (2,000 - 10,000 K), ATW1 (2,700 - 6,000 K), ATW2 (2,000 - 6,000 K) | | |
| | Light Control Mode | Indoor scene (50 Hz / 60 Hz) / ELC | | |
| | ELC | 1/30, 3/100, 3/120, 2/100, 2/120, 1/100, 1/120, 1/250, 1/500, 1/1,000, 1/2,000, 1/4,000, 1/8,000 (WV-SF132), 1/10,000 (WV-SF135) | | |
| | Day & Night (Electrical) | OFF / AUTO | | |
| | Digital Noise Reduction | High / Low | | |
| | Face Detection | ON / OFF (with the XML notification setting) | | |
| | Adaptive Black Stretch | ON / OFF | | |
| | AGC | ON (LOW, MID, HIGH) / OFF | | |
| | Auto Slow Shutter | WV-SF135: Off(1/30s), Max. 2/30 s, Max. 4/30s, Max. 6/30s, Max. 10/30s, Max. 16/30s WV-SF132: Off(1/30s), Max. 2/30 s, Max. 3/30s, Max. 4/30s, Max. 8/30s | | |
| | Video Motion Detection | ON / OFF, 4 areas available | | |
| | Privacy Zone | ON / OFF (up to 2 zones available) | | |
| | VIQS | ON / OFF | | |
| | Camera title | Up to 20 characters (alphanumeric characters, marks), ON / OFF | | |
| Lens | Focal Length | 1.95 mm | | |
| | Zoom Ratio | WV-SF135: 1x Extra Zoom:2x (under VGA resolution) WV-SF132: - | | |
| | Maximum Aperture Ratio | 1 : 2.2 (WV-SF135) 1:2.9 (WV-SF132) | | |
| | Adjusting Angle | Ceiling Installation Horizontal: -20 ° to +20 ° Vertical: -20 ° to +90 ° Wall Installation Horizontal: -80 ° to +80 ° Vertical: -90 ° to +20 ° | | |
| | Angular Field of View | WV-SF135: Horizontal: 104 °, Vertical: 85 ° WV-SF132: Horizontal: 68 °, Vertical: 53 ° | | |
| Browser GUI | Supported OS | Microsoft® Windows® 7, Microsoft® Windows Vista®, Microsoft® Windows® XP SP3 | | |
| | Supported Browser | Windows® Internet Explorer® 9.0 (32 bit), Windows® Internet Explorer® 8.0 (32 bit), Windows® Internet Explorer® 7.0 (32 bit), Microsoft® Internet Explorer® 6.0 SP3 | | |
| Network | Network IF | 10Base-T / 100Base-TX, RJ-45 connector | | |
| | Image Resolution | Aspect ratio: [4 : 3] | WV-SF135: H.264: 1,280 x 960 / VGA (640 x 480) / QVGA (320 x 240), up to 30 fps JPEG (MJPEG): 1,280 x 960 / VGA (640 x 480) / QVGA (320 x 240), up to 30 fps WV-SF132: H.264: VGA (640 x 480) / QVGA (320 x 240), up to 30 fps JPEG: VGA (640 x 480) / QVGA (320 x 240), up to 30 fps | |
| | | Aspect ratio: [16 : 9] | WV-SF135 H.264: 1280 x 720 / 640 x 360 / 320 x 180, up to 30 fps JPEG: 1280 / 720 / 640 x 360 / 320 x 180, up to 30 fps WV-SF132 H.264: 640 x 360 / 320 x 180, up to 30 fps JPEG: 640 x 360 / 320 x 180, up to 30 fps | |
| | Frame Rate | 1 / 3 / 5 / 7.5 / 10 / 15 / 20 / 30 fps 1 / 3 / 5 / 7.5 / 10 / 12 / 15 / 20 / 30 fps | | |
| | Bit Rate/Client | 64 / 128 / 256 / 384 / 512 / 768 / 1,024 / 1,536 / 2,048 / 3,072 / 4,096 / 8,192* kbps *H.264 mode only (WV-SF135) | | |
| | Image Quality | LOW / NORMAL / FINE | | |
| | Transmission Type | UNICAST / MULTICAST | | |
| | JPEG (MJPEG) | Image Quality: 0 SUPER FINE / 1 FINE / 2 / 3 / 4 / 5 NORMAL / 6 / 7 / 8 / 9 LOW (10 steps: 0-9) Transmission Type: PULL / PUSH | | |
| | Trancmission Interval | 0.1 fps - 30 fps (JPEG frame rate will be restricted when display both JPEG and H.264 images) | | |
| | Bandwidth Control | 64 / 128 / 256 / 384 / 512 / 768 / 1,024 / 2,048 / 4,096 / 8,192 kbps / Unlimited | | |
| | Supported Protocol | Pv6: TCP/IP, UDP/IP, HTTP, HTTPS, RTP, FTP, SMTP, DNS, NTP, SNMP, DHCPv6 IPv4: TCP/IP, UDP/IP, HTTP, HTTPS, RTSP, RTP, RTP/RTCP, FTP, SMTP, DHCP, DNS, DDNS, NTP, SNMP, UPnP | | |
| | FTP Client | Alarm image transmission, FTP periodic transmission | | |
| Multi-screen | Up to 16 camera images can be displayed simultaneously on a multi-screen. (Including the camera itself) | | | |
| Maximum Concurrent Access Number | 14 (Depends on network conditions) | | | |
| Cellular Phone Compatibility | JPEG image | | | |
| Mobile Terminal Compatibility | iPad, iPhone, iPod touch | | | |

| TV System | | NTSC | PAL |
|----------------|--|---|-----|
| Alarm | Alarm Source | VMD, Command alarm | |
| | Alarm Actions | E-mail notification, Indication on browser, FTP image transfer, Panasonic protocol output | |
| | Schedule | VMD | |
| General | Power Source | PoE (IEEE802.3af compliant) | |
| | Power Consumption | WV-SF135: PoE 48 V: 54 mA (Class1 device) WV-SF132: PoE 48 V: 46 mA (Class1 device) | |
| | Ambient Operating Temperature/Humidity | 0 °C ~ +40 °C (32 °F ~ 104 °F), Less than 90 % (no condensation) | |
| | Dimensions | ø100 mm x 47 mm (H) (ø3-15/16" x 5-3/4" (H)) | |
| | Mass (approx.) | 200 g (0.44 lbs.) | |
| | Finish | Main Body: ABS resin, Sail White Dome Section: Clear Polycarbonate Resin | |

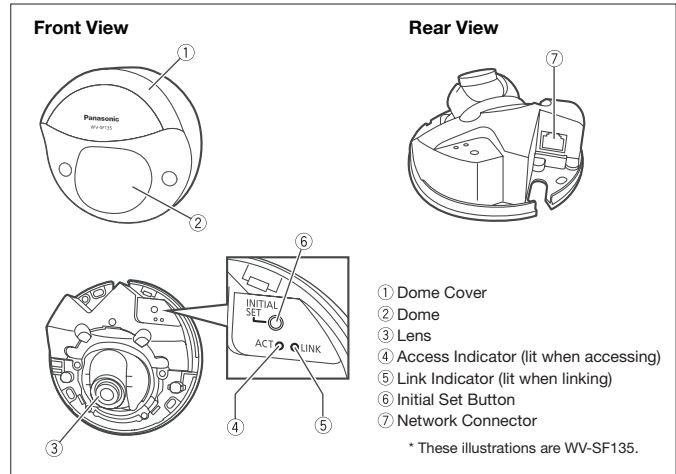
*1 Converted value

*2 Transmission for 2 streams can be individually set in the same compression method.

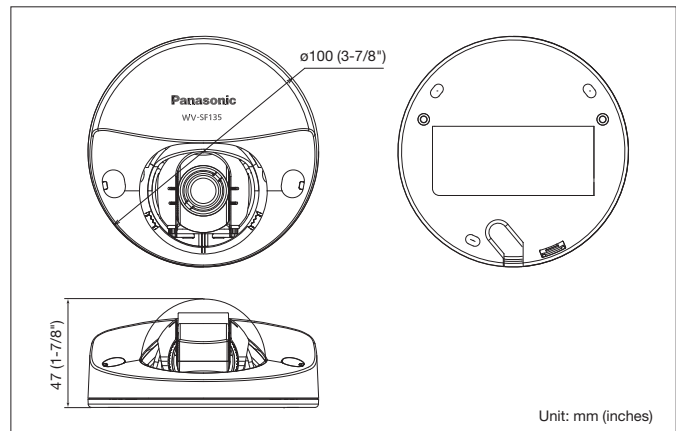
*3 Refer to "Notes on Windows Vista® / Windows® 7" on the provided CD-ROM for further information about system requirements for a PC and precautions when using Microsoft® Windows® 7 or Microsoft® Windows Vista®.

*4 When using IPv6 for communication, use Microsoft Windows 7 or Microsoft Windows Vista.

Part Names and Functions



Appearance



Trademarks and registered trademarks

- Microsoft, and Windows are registered trademarks of Microsoft Corporation in the U.S. and other countries.
- iPad, iPhone and iPod touch are registered trademarks of Apple Inc.
- ONVIF and the ONVIF logo are trademarks of ONVIF Inc.
- UniPhier is a registered trademark of Panasonic Corporation.
- "Super Dynamic", "SDII", "SDIII", "SD5", "SD5Link", "i-PRO SmartHD" logos are trademarks or registered trademarks of Panasonic Corporation.

Important

- Safety Precaution: carefully read the operating instructions and installation manual before using this product.
- Panasonic can not be responsible for network performance and/or other manufacturer products that reside on the network.

- All TV pictures are simulated.
- Masses and dimensions are approximate.
- Specifications are subject to change without notice.
- These products may be subject to export control regulations.
- All product pictures are NTSC models.

DISTRIBUTED BY:

Panasonic®

<http://panasonic.net/security/>

Printed in Japan (2A-078L)